



**AGREEMENT FOR TRANSFORMER SUPPLY AND DELIVERY SERVICES**

THIS AGREEMENT FOR TRANSFORMER SUPPLY AND DELIVERY SERVICES ("Agreement") is entered into by and between the **CITY OF OCALA**, a Florida municipal corporation ("City"), and **GRESKO SUPPLY, INC.**, a for-profit corporation duly organized in the state of Georgia and authorized to do business in the state of Florida (EIN# 58-2246694) ("Gresco" or "Vendor").

**RECITALS:**

**WHEREAS**, on February 7, 2025, the City issued Request for Proposals ("RFP") No. ELE/250274 (the "Solicitation") to competitively solicit proposals from qualified and experienced firms for the supply and delivery of single and three-phase pad and pole-mount transformers for use by Ocala Electric Utility ("OEU"); and

**WHEREAS**, on May 5, 2025, a Selection Committee appointed by the City evaluated and ranked Gresco Supply, Inc., as one of the most qualified firms to supply and deliver single and three-phase pad and pole-mount transformers (the "Project") subject to the successful negotiation of an agreement for same; and

**WHEREAS**, Vendor certifies that Vendor and its subcontractors are qualified and possess the required licensure and skill to perform the work required for the Project.

**NOW THEREFORE**, in consideration of the foregoing recitals and the mutual covenants contained herein, the City and Gresco Supply, Inc., hereby agree as follows:

**TERMS OF AGREEMENT:**

1. **RECITALS.** City and Vendor hereby represent, warrant, and agree that the Recitals set forth above are true and correct and are incorporated herein by reference.
2. **CONTRACT DOCUMENTS.** The Contract Documents which comprise the entire understanding between City and Vendor shall only include: (a) this Agreement; (b) those documents listed in this section as Exhibits to this Agreement; (c) the City's Solicitation for the Project and Vendor's response to same (the "Solicitation Documents"); and (d) those documents identified in the Project Specifications section of this Agreement. Each of these documents are incorporated herein by reference for all purposes.

If there is a conflict between the terms of this Agreement and the Contract Documents, then the terms of this Agreement shall control, amend, and supersede any conflicting terms contained in the remaining Contract Documents.

A. **Exhibits to Agreement:** The Exhibits to this Agreement are as follows:

- Exhibit A: Scope of Professional Services (A-1 through A-9)
- Exhibit B: Price Proposal (B-1 through B-2)
- Exhibit C: Sample Transformer Information Sheet (D-1)
- Exhibit D: Vendor's Proposal (E-1 through E-84)

If there is a conflict between the individual Exhibits regarding the scope of work to be performed, then any identified inconsistency shall be resolved by giving precedence in the following order: (1) Exhibit A, then (2) Exhibit B then (3) Exhibit C, and then (4) Exhibit D.

3. **SCOPE OF SERVICES.** Vendor shall provide all materials, labor, supervision, tools, accessories, equipment, permits, fees, testing, inspections, certifications, and all other things necessary for Vendor to perform its obligations under this Agreement as set forth in the attached **Exhibit A - Scope of Work** and the Solicitation Documents. The Scope of Work under this Agreement may only be adjusted by written amendment executed by both parties.

A. **Delivery Schedule.** Vendor guarantees lead times in accordance with the schedule noted below and shall deliver all products in accordance with the Delivery Information set forth in **Exhibit A – Scope of Professional Services**. If the material and/or equipment covered by this Agreement is not delivered within the Delivery Schedule, the City reserves the right to cancel the order for said material and equipment.

<b>Product Description</b>	<b>Guaranteed Lead Time</b>
Pole Mount Transformers	10-12 Weeks
Single Phase Pad Transformers	12-14 Weeks
Three-Phase Pad Transformers (1500 and Below)	14-16 Weeks
Three-Phase Pad Transformers (2000 and Above)	24-26 Weeks

4. **TERM OF AGREEMENT.** This Agreement shall become effective and commence on **FEBRUARY 4, 2026**, and continue in effect for a term of **THREE (3) YEARS**, through and including **AUGUST 30, 2028** (the "Term"). This Agreement may be renewed for up to **TWO (2)** additional **ONE (1) YEAR** periods upon written consent of both City and Vendor.

5. **COMPENSATION.** City shall pay Vendor up to a maximum limiting amount of **THIRTEEN MILLION AND NO/100 DOLLARS (\$13,000,000)** (the "Contract Sum") as full and complete compensation for the timely and satisfactory provision of services in compliance with the requirements set forth below and in the Contract Documents. The pricing under this Agreement may only be adjusted by written amendment executed by both parties.

A. **Unit Pricing.** Unit Pricing shall be as set forth in the attached **Exhibit B -Price Proposal** and shall remain firm for the initial Contract Term, subject to the following:

- (1) Notwithstanding anything stated herein to the contrary, Vendor shall provide quarterly pricing reports and supporting documentation necessary to validate any pricing increases on October 1, January 1, April 1, and July 1 of each calendar year. Vendor and City shall review pricing reports quarterly to evaluate escalating and de-escalating prices. City shall have final approval of any Vendor suggested pricing increases.
- (2) Any and all price adjustments shall be subject to a maximum negotiated price increase of no more than **THREE PERCENT (3%) PER QUARTER** based upon Eaton’s Commodity Price Index and the Price Adjustment Methodology set forth in Exhibit E – Vendor’s Proposal. All requests for price adjustments must include proper justification and documentation supporting the adjustment.
- (3) In no event shall the price invoiced by Vendor for materials exceed the pricing reflected on the quarterly pricing report in effect on the date of City’s order for same.

- B. **Invoicing.** Vendor shall invoice with every delivery and submit with each invoice the Purchase Order Number and transformer description. Vendor shall submit the original invoice through the responsible City Project Manager at: **City of Ocala Utilities Services Warehouse, Attn: Mary Ann St. Laurent, 1805 NE 30<sup>th</sup> Avenue, Bldg. 700, Ocala, Florida 34470**, E-Mail: [mstlaurent@ocalafl.gov](mailto:mstlaurent@ocalafl.gov). The City Project Manager must review and approve all invoices prior to payment. City Project Manager's approval shall not be unreasonably withheld, conditioned, or delayed.
  - C. **Suspension of Payment.** Should Vendor fail to perform the service required then City may, at its option, retain payment otherwise due until any service discrepancies are corrected. Repeated service discrepancies on behalf of the vendor shall entitle the City to terminate services in accordance with the Termination provisions set forth in this Agreement.
  - D. **City's Right to Withhold Payment.** In the event City becomes informed that any representations of Vendor provided in its billing are wholly or partially inaccurate, City may withhold payment until the inaccuracy, and the cause thereof, is corrected. In the event City questions some element of an invoice, that fact shall be made known to Vendor immediately in writing. Vendor shall help effect resolution and transmit a revised invoice, if necessary. Amounts not questioned by City shall be paid to Vendor.
  - E. **Excess Funds.** If due to mistake or any other reason Vendor receives payment under this Agreement in excess of what is provided for by the Agreement, Vendor shall promptly notify City upon discovery of the receipt of the overpayment. Any overpayment shall be refunded to City within **THIRTY (30)** days of Vendor's receipt of the overpayment or must also include interest calculated from the date of the overpayment at the interest rate for judgments at the highest rate as allowed by law.
  - F. **Amounts Due to the City.** Vendor must be current and remain current in all obligations due to the City during the performance of services under this Agreement. Payments to Vendor may be offset by any delinquent amounts due to the City or fees and/or charges owed to the City.
  - G. **Tax Exemption.** City is exempt from all federal excise and state sales taxes (State of Florida Consumer's Certification of Exemption 85-8012621655C-9). The City's Employer Identification Number is 59-60000392. Vendor shall not be exempted from paying sales tax to its suppliers for materials to fulfill contractual obligations with the City, nor will Vendor be authorized to use City's Tax Exemption Number for securing materials listed herein.
6. **FORCE MAJEURE.** Neither party shall be liable for delay, damage, or failure in the performance of any obligation under this Agreement if such delay, damage, or failure is due to causes beyond its reasonable control, including without limitation: fire, flood, strikes and labor disputes, acts of war, acts of nature, terrorism, civil unrest, pandemic, acts or delays in acting of the government of the United States or the several states, judicial orders, decrees or restrictions, or any other like reason which is beyond the control of the respective party ("Force Majeure"). The party affected by any event of force majeure shall use reasonable efforts to remedy, remove, or mitigate such event and the effects thereof with all reasonable dispatch.
- A. The party affected by force majeure shall provide the other party with full particulars thereof including, but not limited to, the nature, details, and expected duration thereof, as soon as it becomes aware.

- B. When force majeure circumstances arise, the parties shall negotiate in good faith any modifications of the terms of this Agreement that may be necessary or appropriate in order to arrive at an equitable solution. Vendor performance shall be extended for a number of days equal to the duration of the force majeure. Vendor shall be entitled to an extension of time only and, in no event, shall Vendor be entitled to any increased costs, additional compensation, or damages of any type resulting from such force majeure delays.
7. **INSPECTION AND ACCEPTANCE OF THE WORK.** All goods are subject to final inspection and acceptance by the City of Ocala. Vendor shall report its progress to the City Project Manager as set forth herein. All services, work, and materials provided by Vendor under this Agreement shall be provided to the satisfaction and approval of the Project Manager.
- A. Upon delivery, transformers will be inspected for defects and conformance to the specifications set forth herein. Vendor will be notified of all compliance issues and mutual arrangements shall be made for correcting the defects at no expense to the City.
- B. The City reserves the right to reject and return transformers failing to pass inspection. If so returned, the cost of transportation, unpacking, inspection, repacking, reshipping, or other like expenses are the responsibility of the Supplier.
- C. Charges for dismantling and reinstallation of materials furnished pursuant to this Contract will be the responsibility of the Vendor only when a change out or replacement is required because of a suspected or known design defect or large-scale failure of manufacturer's quality control system.
- D. The Project Manager shall decide all questions regarding the quality, acceptability, and/or fitness of materials furnished, or workmanship performed, the rate of progress of the work, the interpretation of the plans and specifications, and the acceptable fulfillment of the Agreement, in his or her sole discretion, based upon both the requirements set forth by City and the information provided by Vendor in its Bid. The authority vested in the Project Manager pursuant to this paragraph shall be confined to the direction or specification of what is to be performed under this Agreement and shall not extend to the actual execution of the Work.
- E. Neither the Project Manager's review of Vendor's work nor recommendations made by Project Manager pursuant to this Agreement will impose on Project Manager any responsibility to supervise, direct, or control Vendor's work in progress or for the means, methods, techniques, sequences, or procedures of construction or safety precautions or programs incident Vendor's furnishing and performing the work.
8. **TERMINATION AND DEFAULT.** Either party, upon determination that the other party has failed or refused to perform or is otherwise in breach of any obligation or provision under this Agreement or the Contract Document, may give written notice of default to the defaulting party in the manner specified for the giving of notices herein. Termination of this Agreement by either party for any reason shall have no effect upon the rights or duties accruing to the parties prior to termination.
- A. **Cancellation and Termination by City for Vendor Default.** This Agreement is critical to the City and City reserves the right to immediately cancel or annul, in whole or in part, any

order due to failure of Vendor to carry out any obligation term or condition of the Agreement. Cancellation shall be for acting or failing to act as in any of the following:

- (1) Vendor provides material that does not meet the specifications of the agreed to order;
- (2) Vendor fails to adequately perform the services set forth in the specifications of the solicitation and order;
- (3) Vendor fails to make progress in the performance of the work and fails to provide a plan to cure that is mutually agreed upon by Vendor and City or cannot perform the requirements; and/or
- (4) Vendor fails to complete the work required or furnish the materials required within the time stipulated without providing a plan to cure that is mutually agreed upon by Vendor and City.

B. **City's Remedies for Vendor Default.** In addition to all other rights and remedies available under this Agreement or at law, City may resort to any single or combination to the following remedies:

- (1) cancellation of the contract award;
- (2) reserve all rights or claims to damage for breach of any covenants of this Agreement;
- (3) perform any test or analysis on materials for compliance with the specifications noted.
- (4) reserve the right to purchase materials from other vendors or sources, or to otherwise complete the required work in accordance with the needs of the City.
- (5) recover any actual excess costs from the Vendor by: (i) deduction from an unpaid balance; (ii) collection against the bid and/or performance bond (if any); or (iii) any combination of the foregoing or any other remedies as provided by law.

C. **Non-Funding Clause.** In the event sufficient budgeted funds are not available or are depleted, City shall notify Vendor of such occurrence, and services shall terminate without penalty or expense to the City.

D. **Termination for Convenience.** City reserves the right to terminate this Agreement in whole or in part at any time for the convenience of City without penalty or recourse. The City Project Manager shall provide written notice of the termination. Upon receipt of the notice, Vendor shall immediately discontinue all work as directed in the notice, notify all subcontractors of the effective date of the termination, and minimize all further costs to City including, but not limited to, the placing of any and all orders for materials, facilities, or supplies, in connection with its performance under this Agreement. Vendor shall be entitled to receive compensation solely for: (1) the actual cost of the work completed in conformity with this Agreement; and/or (2) such other costs incurred by Vendor as permitted under this Agreement and approved by City.

9. **WARRANTY.** All manufacturer warranty documentation and owner/operator manuals must be provided before issuance of final payment request by Vendor.

A. **Warranty Period.** Unless a longer period is specified, Vendor and/or manufacturer of the supplies, materials and/or equipment furnished pursuant to this Agreement agrees to correct any defect or failure of the supplies, materials and/or equipment which occurs within **THIRTY-**

- SIX (36) MONTHS** from the date of delivery to the City. When the supplier is not the manufacturer of the item of equipment, supplier agrees to be responsible for this warranty and supplier is not relieved by a manufacturer's warranty.
- B. **Warranty Period Extension.** The Warranty Period shall be suspended from the time a significant defect is first documented by the City until the work or equipment is repaired or replaced by Vendor and accepted by the City. In addition, in the event less than thirty (30) days remain on the warranty period (after recalculating), the Warranty Period shall be extended to allow for at least thirty (30) days from the date the work or equipment is repaired or replaced and accepted by the City.
- C. **Warranty Work.** The City has determined that the repair of material/equipment, under warranty, can best be done at the manufacturer's facility that makes this style or similar material/equipment, or at a mutually agreeable local repair facility. All material/equipment requiring warranty work will be returned to the Vendor at the Vendor's expense, or the manufacturer may replace the defective material/equipment(s) with new units.
- D. **Minor Warranty Work.** Minor warranty work may be done on City property if, in the opinion of City and in agreement with the Vendor, the useful life of the transformer is not affected by doing this work on site.
- E. **Return Time Frame.** All warranty repair work on returned material/equipment shall be accomplished within the specified lead-time for delivery listed in the Vendor's submitted proposal. Warranty repair time will be calculated from the time the material/equipment defect
10. **PERFORMANCE EVALUATION.** At the end of the contract, City may evaluate Vendor's performance. Any such evaluation will become public record.
11. **NOTICE REGARDING FAILURE TO FULFILL AGREEMENT.** Any contractor who enters into an Agreement with the City of Ocala and fails to complete the contract term, for any reason, shall be subject to future bidding suspension for a period of **ONE (1)** year and bid debarment for a period of up to **THREE (3)** years for serious contract failures.
12. **VENDOR REPRESENTATIONS.** Vendor expressly represents that:
- A. Vendor has read and is fully familiar with all the terms and conditions of this Agreement, the Contract Documents, and other related data and acknowledges that they are sufficient in scope and detail to indicate and convey understanding of all terms and conditions of the work to be performed by Vendor under this Agreement.
- B. Vendor has disclosed, in writing, all known conflicts, errors, inconsistencies, discrepancies, or omissions discovered by Vendor in the Contract Documents, and that the City's written resolution of same is acceptable to Vendor.
- C. Vendor is satisfied with the site conditions that may affect cost, progress, and performance of the work, as observable or determinable by Vendor's own investigation.
- D. Vendor is familiar with all local, state, and Federal laws, regulations, and ordinances which may affect cost, progress, or its performance under this Agreement whatsoever.
- E. **Public Entity Crimes.** Neither Vendor, its parent corporations, subsidiaries, members, shareholders, partners, officers, directors or executives, nor any of its affiliates, contractors, suppliers, subcontractors, or consultants under this Agreement have been placed on the

convicted vendor list following a conviction of a public entity crime. Vendor understands that a "public entity crime" as defined in section 287.133(1)(g), Florida Statutes, is "a violation of any state or federal law by a person with respect to and directly related to the transaction of business with any public entity or with an agency or political subdivision of any other state or with the United States..." Vendor further understands that any person or affiliate who has been placed on the convicted vendor list following a conviction for a public entity crime: (1) may not submit a bid, proposal, or reply on a contract: (a) to provide any goods or services to a public entity; (b) for the construction or repair of a public building or public work; or (c) for leases of real property to a public entity; (2) may not be awarded or perform work as a contractor, supplier, subcontractor, or consultant under a contract with any public entity; and (3) may not transact business with any public entity in excess of the threshold amount provided in section 287.017, Florida Statutes, for CATEGORY TWO for a period of 36 months from the date of being placed on the convicted vendor list.

13. **VENDOR RESPONSIBILITIES.** Except as otherwise specifically provided for in this Agreement, the following provisions are the responsibility of the Vendor:
- A. Vendor shall competently and efficiently supervise, inspect, and direct all work to be performed under this Agreement, devoting such attention thereto and applying such skills and expertise as may be necessary to perform the work in accordance with the Contract Documents.
  - B. Vendor shall be solely responsible for the means, methods, techniques, sequences, or procedures and safety precautions or programs incident thereto.
  - C. Vendor shall be responsible to see that the finished work complies accurately with this Agreement and the intent thereof.
  - D. Vendor shall comply with all local, state, and Federal laws, regulations, and ordinances which may affect cost, progress, or its performance under this Agreement, including, but not limited to obtaining all permits, licenses, and other authorizations necessary for the prosecution of the work and be responsible for all costs associated with same.
  - E. Vendor shall continue its performance under this Agreement during the pendency of any dispute or disagreement arising out of or relating to this Agreement, except as Vendor and City may otherwise agree in writing.
14. **NO EXCLUSIVITY.** It is expressly understood and agreed by the parties that this is not an exclusive agreement. Nothing in this Agreement shall be construed as creating any exclusive arrangement with Vendor or as prohibit City from either acquiring similar, equal, or like goods and/or services or from executing additional contracts with other entities or sources.
15. **RESPONSIBILITIES OF CITY.** City or its representative shall issue all communications to Vendor. City has the authority to request changes in the work in accordance with the terms of this Agreement and with the terms in **Exhibit A – Scope of Professional Services**. City has the authority to stop work or to suspend any work.
16. **COMMERCIAL AUTO LIABILITY INSURANCE.** Vendor shall procure, maintain, and keep in full force, effect, and good standing for the life of this Agreement a policy of commercial auto liability insurance with a minimum combined single limit of One Million Dollars (\$1,000,000) per occurrence for bodily injury and property damage arising out of Vendor's operations and

covering all owned, hired, scheduled, and non-owned automobiles utilized in said operations. If Vendor does not own vehicles, Vendor shall maintain coverage for hired and non-owned automobile liability, which may be satisfied by way of endorsement to Vendor's Commercial General Liability policy or separate Commercial Automobile Liability policy.

17. **COMMERCIAL GENERAL LIABILITY INSURANCE.** Vendor shall procure, maintain, and keep in full force, effect, and good standing for the life of this Agreement a policy of commercial general liability insurance with limits not less than:

- A. One Million Dollars (\$1,000,000) per occurrence and Two Million Dollars (\$2,000,000) aggregate (or project aggregate, if a construction project) for bodily injury, property damage, and personal and advertising injury; and
- B. One Million Dollars (\$1,000,000) per occurrence and Two Million Dollars (\$2,000,000) aggregate (or project aggregate, if a construction project) for products and completed operations.
- C. Policy must include coverage for contractual liability and independent contractors.
- D. The City, a Florida municipal corporation, and its officials, employees, and volunteers are to be covered as additional insureds with a CG 20 26 04 13 Additional Insured – Designated Person or Organization Endorsement or similar endorsement providing equal or broader Additional Insured Coverage with respect to liabilities arising out of activities performed by or on behalf of Vendor. This coverage shall contain no special limitation on the scope of protection to be afforded to the City, its officials, employees, and volunteers.

18. **WORKERS' COMPENSATION AND EMPLOYER'S LIABILITY.** Vendor shall procure, maintain, and keep in full force, effect, and good standing for the life of this Agreement adequate workers' compensation and employer's liability insurance covering all of its employees in at least such amounts as required by Chapter 440, Florida Statutes, and all other state and federal workers' compensation laws, including the U.S. Longshore Harbor Workers' Act and the Jones Act, if applicable. Vendor shall similarly require any and all of its subcontractors to afford such coverage for all of its employees as required by applicable law. Vendor shall waive and shall ensure that Vendor's insurance carrier waives, all subrogation rights against the City of Ocala and its officers, employees, and volunteers for all losses or damages. Vendor's policy shall be endorsed with WC 00 03 13 Waiver of our Right to Recover from Others or its equivalent. **Exceptions and exemptions to this Section may be allowed at the discretion of the City's Risk Manager on a case-by-case basis in accordance with Florida Statutes and shall be evidenced by a separate waiver.**

19. **MISCELLANEOUS INSURANCE PROVISIONS.**

- A. Vendor's insurance coverage shall be primary insurance for all applicable policies. The limits of coverage under each policy maintained by Vendor shall not be interpreted as limiting Vendor's liability or obligations under this Agreement. City does not in any way represent that these types or amounts of insurance are sufficient or adequate enough to protect Vendor's interests or liabilities or to protect Vendor from claims that may arise out of or result from the negligent acts, errors, or omissions of Vendor, any of its agents or subcontractors, or for anyone whose negligent act(s) Vendor may be liable.

- B. No insurance shall be provided by the City for Vendor under this Agreement and Vendor shall be fully and solely responsible for any costs or expenses incurred as a result of a coverage deductible, co-insurance penalty, or self-insured retention to include any loss not covered because of the operation of such deductible, co-insurance penalty, self-insured retention, or coverage exclusion or limitation.
- C. **Certificates of Insurance.** No work shall be commenced by Vendor under this Agreement until the required Certificate of Insurance and endorsements have been provided nor shall Vendor allow any subcontractor to commence work until all similarly required certificates and endorsements of the subcontractor have also been provided. Work shall not continue after expiration (or cancellation) of the Certificate of Insurance and work shall not resume until a new Certificate of Insurance has been provided. **Vendor shall provide evidence of insurance in the form of a valid Certificate of Insurance (binders are unacceptable) prior to the start of work contemplated under this Agreement to: City of Ocala. Attention: Procurement & Contracting Department, Address: 110 SE Watula Avenue, Third Floor, Ocala Florida 34471, E-Mail: [vendors@ocalafl.org](mailto:vendors@ocalafl.org).** Vendor's Certificate of Insurance and required endorsements shall be issued by an agency authorized to do business in the State of Florida with an A.M. Best Rating of A or better. The Certificate of Insurance shall indicate whether coverage is being provided under a claims-made or occurrence form. If any coverage is provided on a claims-made form, the Certificate of Insurance must show a retroactive date, which shall be the effective date of the initial contract or prior.
- D. **City as an Additional Insured.** The City of Ocala shall be named as an Additional Insured and Certificate Holder on all liability policies identified in this Section with the exception of Workers' Compensation and Professional Liability policies.
- E. **Notice of Cancellation of Insurance.** Vendor's Certificate of Insurance shall provide **THIRTY (30) DAY** notice of cancellation, **TEN (10) DAY** notice if cancellation is for non-payment of premium. In the event that Vendor's insurer is unable to accommodate the cancellation notice requirement, it shall be the responsibility of Vendor to provide the proper notice. Such notification shall be in writing by registered mail, return receipt requested, and addressed to the certificate holder. Additional copies may be sent to the City of Ocala at [vendors@ocalafl.org](mailto:vendors@ocalafl.org)
- F. **Failure to Maintain Coverage.** The insurance policies and coverages set forth above are required and providing proof of and maintaining insurance of the types and with such terms and limits set forth above is a material obligation of Vendor. Vendor's failure to obtain or maintain in full force and effect any insurance coverage required under this Agreement shall constitute material breach of this Agreement.
- G. **Severability of Interests.** Vendor shall arrange for its liability insurance to include, or be endorsed to include, a severability of interests/cross-liability provision so that the "City of Ocala" (where named as an additional insured) will be treated as if a separate policy were in existence, but without increasing the policy limits.
20. **SAFETY/ENVIRONMENTAL.** Vendor shall be responsible for initiating, maintaining, and supervising all safety precautions and programs in connection with the Work. Vendor shall make an effort to detect hazardous conditions and shall take prompt action where necessary to avoid accident, injury or property damage. EPA, DEP, OSHA and all other applicable safety laws and

ordinances shall be followed as well as American National Standards Institute Safety Standards. Vendor shall take all necessary precautions for the safety of, and shall provide the necessary protection to prevent damage, injury, or loss to:

- A. All employees on the work and other persons that may be affected thereby;
- B. All work, materials and equipment to be incorporated therein, whether in storage on or off the site; and
- C. Other property at the site or adjacent thereto, including trees, shrubs, lawns, walks, pavements, roadways, structures, and utilities not designated for removal, relocation, or replacement in the course of construction.

All, injury, or loss to any property caused, directly or indirectly, in whole or in part, by Vendor, any subcontractor, or anyone directly or indirectly employed by any of them, or anyone for whose acts any of them may be liable, shall be remedied by Vendor. Vendor's duties and responsibilities for the safety and protection of the work shall continue until such time as the work is completed and accepted by City.

- 21. **NON-DISCRIMINATORY EMPLOYMENT PRACTICES.** During the performance of the contract, the Vendor shall not discriminate against any employee or applicant for employment because of race, color, religion, ancestry, national origin, sex, pregnancy, age, disability, sexual orientation, gender identity, marital or domestic partner status, familial status, or veteran status and shall take affirmative action to ensure that an employee or applicant is afforded equal employment opportunities without discrimination. Such action shall be taken with reference to, but not limited to: recruitment, employment, termination, rates of pay or other forms of compensation and selection for training or retraining, including apprenticeship and on-the-job training.
- 22. **COMPLIANCE WITH F.S. 287.135.** City may terminate Agreement immediately upon discovering that Vendor: (A) has been placed on the Scrutinized Companies that Boycott Israel List; (B) is engaged in a boycott of Israel; (C) has been placed on the Scrutinized Companies with Activities in Sudan List; (D) has been placed on the Scrutinized Companies with Activities in the Iran Petroleum Energy Sector List; or (E) has been engaged in business operations in Cuba or Syria. This Agreement may also be terminated immediately if the Vendor falsely certified they are eligible to bid and contract with local government entities under F.S. 287.135.
- 23. **SUBCONTRACTORS.** Nothing in this Agreement shall be construed to create, impose, or give rise to any duty owed by City or its representatives to any subcontractor of Vendor or any other persons or organizations having a direct contract with Vendor, nor shall it create any obligation on the part of City or its representatives to pay or seek payment of any monies to any subcontractor of Vendor or any other persons or organizations having a direct contract with Vendor, except as may otherwise be required by law. City shall not be responsible for the acts or omissions of any Vendor, subcontractor, or of any of their agents or employees, nor shall it create any obligation on the part of City or its representatives to pay or to seek the payment of any monies to any subcontractor or other person or organization, except as may otherwise be required by law.
- 24. **EMERGENCIES.** In an emergency affecting the welfare and safety of life or property, Vendor, without special instruction or authorization from the City Project Manager, is hereby permitted, authorized and directed to act at its own discretion to prevent threatened loss or injury. Except

in the case of an emergency requiring immediate remedial work, any work performed after regular working hours, on Saturdays, Sundays or legal holidays, shall be performed without additional expense to the City unless such work has been specifically requested and approved by the City Project Manager. Vendor shall be required to provide to the City Project Manager with the names, addresses and telephone numbers of those representatives who can be contacted at any time in case of emergency. Vendor's emergency representatives must be fully authorized and equipped to correct unsafe or excessively inconvenient conditions on short notice by City or public inspectors.

25. **INDEPENDENT CONTRACTOR STATUS.** Vendor acknowledges and agrees that under this Agreement, Vendor and any agent or employee of Vendor shall be deemed at all times to be an independent contractor and shall be wholly responsible for the manner in which it performs the services and work required under this Agreement. Neither Vendor nor its agents or employees shall represent or hold themselves out to be employees of City at any time. Neither Vendor nor its agents or employees shall have employee status with City. Nothing in this Agreement shall constitute or be construed to create any intent on the part of either party to create an agency relationship, partnership, employer-employee relationship, joint venture relationship, or any other relationship which would allow City to exercise control or discretion over the manner or methods employed by Vendor in its performance of its obligations under this Agreement.
26. **ACCESS TO FACILITIES.** City shall provide Vendor with access to all City facilities as is reasonably necessary for Vendor to perform its obligations under this Agreement.
27. **ASSIGNMENT.** Neither party may assign its rights or obligations under this Agreement to any third party without the prior express approval of the other party, which shall not be unreasonably withheld.
28. **RIGHT OF CITY TO TAKE OVER CONTRACT.** Should the work to be performed by Vendor under this Agreement be abandoned, or should Vendor become insolvent, or if Vendor shall assign or sublet the work to be performed hereunder without the written consent of City, the City Project Manager shall have the power and right to hire and acquire additional men and equipment, supply additional material, and perform such work as deemed necessary for the completion of this Agreement. Under these circumstances, all expenses and costs actually incurred by City to accomplish such completion shall be credited to City along with amounts attributable to any other elements of damage and certified by the Project Manager. The City Project Manager's certification as to the amount of such liability shall be final and conclusive.
29. **PUBLIC RECORDS.** The Vendor shall comply with all applicable provisions of the Florida Public Records Act, Chapter 119, Florida Statutes. Specifically, the Vendor shall:
  - A. Keep and maintain public records required by the public agency to perform the service.
  - B. Upon request from the public agency's custodian of public records, provide the public agency with a copy of the requested records or allow the records to be inspected or copied within a reasonable time at a cost that does not exceed the cost provided in Chapter 119, Florida Statutes, or as otherwise provided by law.
  - C. Ensure that public records that are exempt or confidential and exempt from public records disclosure requirements are not disclosed except as authorized by law for the duration of the

contract term and following completion of the contract if the Vendor does not transfer the records to the public agency.

- D. Upon completion of the contract, transfer, at no cost, to the public agency all public records in possession of the Vendor or keep and maintain public records required by the public agency to perform the service. If the Vendor transfers all public records to the public agency upon completion of the contract, the Vendor shall destroy any duplicate public records that are exempt or confidential and exempt from public records disclosure requirements. If the Vendor keeps and maintains public records upon completion of the contract, the Vendor shall meet all applicable requirements for retaining public records. All records stored electronically must be provided to the public agency, upon request from the public agency's custodian of public records, in a format that is compatible with the information technology systems of the public agency.

**IF THE VENDOR HAS QUESTIONS REGARDING THE APPLICATION OF CHAPTER 119, FLORIDA STATUTES, TO THE VENDOR'S DUTY TO PROVIDE PUBLIC RECORDS RELATING TO THIS CONTRACT, CONTACT THE CUSTODIAN OF PUBLIC RECORDS AT: CITY OF OCALA, OFFICE OF THE CITY CLERK; 352-629-8266; E-mail: [clerk@ocalafl.org](mailto:clerk@ocalafl.org); City Hall, 110 SE Watula Avenue, Ocala, FL 34471.**

30. **AUDIT.** Vendor shall comply and cooperate immediately with any inspections, reviews, investigations, or audits relating to this Agreement as deemed necessary by the Florida Office of the Inspector General, the City's Internal or External auditors or by any other Florida official with proper authority.
31. **PUBLICITY.** Vendor shall not use City's name, logo, seal or other likeness in any press release, marketing materials, or other public announcement without City's prior written approval.
32. **E-VERIFY.** Pursuant to section 448.095, Vendor shall register with and use the U.S. Department of Homeland Security's ("DHS") E-Verify System, accessible at <https://e-verify.uscis.gov/emp>, to verify the work authorization status of all newly hired employees. Vendor shall obtain affidavits from any and all subcontractors in accordance with paragraph 2(b) of section 448.095, Florida Statutes, and maintain copies of such affidavits for the duration of this Agreement. By entering into this Agreement, Vendor certifies and ensures that it utilizes and will continue to utilize the DHS E-Verify System for the duration of this Agreement and any subsequent renewals of same. Vendor understands that failure to comply with the requirements of this section shall result in the termination of this Agreement and Vendor may lose the ability to be awarded a public contract for a minimum of one (1) year after the date on which the Agreement was terminated. Vendor shall provide a copy of its DHS Memorandum of Understanding upon City's request. Please visit [www.e-verify.gov](http://www.e-verify.gov) for more information regarding the E-Verify System.
33. **CONFLICT OF INTEREST.** Vendor is required to have disclosed, with the submission of their bid, the name of any officer, director, or agent who may be employed by the City. Vendor shall further disclose the name of any City employee who owns, directly or indirectly, any interest in Vendor's business or any affiliated business entity. Any additional conflicts of interest that may occur during the contract term must be disclosed to the City of Ocala Procurement Department.

34. **WAIVER.** The failure or delay of any party at any time to require performance by another party of any provision of this Agreement, even if known, shall not affect the right of such party to require performance of that provision or to exercise any right, power or remedy hereunder. Any waiver by any party of any breach of any provision of this Agreement should not be construed as a waiver of any continuing or succeeding breach of such provision, a waiver of the provision itself, or a waiver of any right, power or remedy under this Agreement. No notice to or demand on any party in any circumstance shall, of itself, entitle such party to any other or further notice or demand in similar or other circumstances.
35. **SEVERABILITY OF ILLEGAL PROVISIONS.** Wherever possible, each provision of this Agreement shall be interpreted in such a manner as to be effective and valid under the applicable law. Should any portion of this Agreement be declared invalid for any reason, such declaration shall have no effect upon the remaining portions of this Agreement.
36. **INDEMNITY.** Vendor shall indemnify and hold harmless City and its elected officials, employees and volunteers against and from all damages, claims, losses, costs, and expenses, including reasonable attorneys' fees, which City or its elected officials, employees or volunteers may sustain, or which may be asserted against City or its elected officials, employees or volunteers, arising out of the activities contemplated by this Agreement including, without limitation, harm or personal injury to third persons during the term of this Agreement to the extent attributable to the actions of Vendor, its agents, and employees.
37. **NO WAIVER OF SOVEREIGN IMMUNITY.** Nothing herein is intended to waive sovereign immunity by the City to which sovereign immunity may be applicable, or of any rights or limits of liability existing under Florida Statute § 768.28. This term shall survive the termination of all performance or obligations under this Agreement and shall be fully binding until any proceeding brought under this Agreement is barred by any applicable statute of limitations.
38. **NOTICES.** All notices, certifications or communications required by this Agreement shall be given in writing and shall be deemed delivered when personally served, or when received if by facsimile transmission with a confirming copy mailed by registered or certified mail, postage prepaid, return receipt requested. Notices can be concurrently delivered by e-mail. All notices shall be addressed to the respective parties as follows:

If to Vendor:

Gresco Supply, Inc.  
Attention: Anthony Mells  
6421 County Road 219  
Wildwood, Florida 34785  
Phone: 352.748.9550  
E-mail: [anthony.mells@gresco.com](mailto:anthony.mells@gresco.com)

If to City of Ocala:

Daphne M. Robinson, Esq., Contracting Officer  
City of Ocala  
110 SE Watula Avenue, Third Floor  
Ocala, Florida 34471  
Phone: 352-629-8343  
E-mail: [notices@ocalafl.gov](mailto:notices@ocalafl.gov)

Copy to:

William E. Sexton, Esq., City Attorney  
City of Ocala  
110 SE Watula Avenue, Third Floor  
Ocala, Florida 34471  
Phone: 352-401-3972  
E-mail: [cityattorney@ocalafl.gov](mailto:cityattorney@ocalafl.gov)

39. **JURY WAIVER.** IN ANY CIVIL ACTION, COUNTERCLAIM, OR PROCEEDING, WHETHER AT LAW OR IN EQUITY, WHICH ARISES OUT OF, CONCERNS, OR RELATES TO THIS AGREEMENT, ANY AND ALL TRANSACTIONS CONTEMPLATED HEREUNDER, THE PERFORMANCE HEREOF, OR THE RELATIONSHIP CREATED HEREBY, WHETHER SOUNDING IN CONTRACT, TORT, STRICT LIABILITY, OR OTHERWISE, TRIAL SHALL BE TO A COURT OF COMPETENT JURISDICTION AND NOT TO A JURY. EACH PARTY HEREBY IRREVOCABLY WAIVES ANY RIGHT IT MAY HAVE TO A TRIAL BY JURY. NEITHER PARTY HAS MADE OR RELIED UPON ANY ORAL REPRESENTATIONS TO OR BY ANY OTHER PARTY REGARDING THE ENFORCEABILITY OF THIS PROVISION. EACH PARTY HAS READ AND UNDERSTANDS THE EFFECT OF THIS JURY WAIVER PROVISION.
40. **GOVERNING LAW.** This Agreement is and shall be deemed to be a contract entered and made pursuant to the laws of the state of Florida and shall in all respects be governed, construed, applied and enforced in accordance with the laws of the state of Florida.
41. **JURISDICTION AND VENUE.** The parties acknowledge that a majority of the negotiations, anticipated performance and execution of this Agreement occurred or shall occur in Marion County, Florida. Any civil action or legal proceeding arising out of or relating to this Agreement shall be brought only in the courts of record of the State of Florida in Marion County or the United States District Court, Middle District of Florida, Ocala Division. Each party consents to the exclusive jurisdiction of such court in any such civil action or legal proceeding and waives any objection to the laying of venue of any such civil action or legal proceeding in such court and/or the right to bring an action or proceeding in any other court. Service of any court paper may be effected on such party by mail, as provided in this Agreement, or in such other manner as may be provided under applicable laws, rules of procedures or local rules.
42. **REFERENCE TO PARTIES.** Each reference herein to the parties shall be deemed to include their successors, assigns, heirs, administrators, and legal representatives, all whom shall be bound by the provisions hereof.
43. **MUTUALITY OF NEGOTIATION.** Vendor and City acknowledge that this Agreement is a result of negotiations between Vendor and City, and the Agreement shall not be construed in favor of, or against, either party because of that party having been more involved in the drafting of the Agreement.
44. **SECTION HEADINGS.** The section headings herein are included for convenience only and shall not be deemed to be a part of this Agreement.

45. **RIGHTS OF THIRD PARTIES.** Nothing in this Agreement, whether express or implied, is intended to confer any rights or remedies under or because of this Agreement on any persons other than the parties hereto and their respective legal representatives, successors and permitted assigns. Nothing in this Agreement is intended to relieve or discharge the obligation or liability of any third persons to any party to this Agreement, nor shall any provision give any third persons any right of subrogation or action over or against any party to this Agreement.
46. **AMENDMENT.** No amendment to this Agreement shall be effective except those agreed to in writing and signed by both parties to this Agreement.
47. **COUNTERPARTS.** This Agreement may be executed in counterparts, each of which shall be an original and all of which shall constitute the same instrument.
48. **ELECTRONIC SIGNATURE(S).** Vendor, if and by offering an electronic signature in any form whatsoever, will accept and agree to be bound by said electronic signature to all terms and conditions of this Agreement. Further, a duplicate or copy of the Agreement that contains a duplicated or non-original signature will be treated the same as an original, signed copy of this original Agreement for all purposes.
49. **ENTIRE AGREEMENT.** This Agreement, including exhibits, (if any) constitutes the entire Agreement between the parties hereto with respect to the subject matter hereof. There are no other representations, warranties, promises, agreements or understandings, oral, written or implied, among the Parties, except to the extent reference is made thereto in this Agreement. No course of prior dealings between the parties and no usage of trade shall be relevant or admissible to supplement, explain, or vary any of the terms of this Agreement. No representations, understandings, or agreements have been made or relied upon in the making of this Agreement other than those specifically set forth herein.
50. **LEGAL AUTHORITY.** Each person signing this Agreement on behalf of either party individually warrants that he or she has full legal power to execute this Agreement on behalf of the party for whom he or she is signing, and to bind and obligate such party with respect to all provisions contained in this Agreement.

**[REMAINDER OF PAGE INTENTIONALLY BLANK.]**



**IN WITNESS WHEREOF**, the parties have executed this Agreement on \_\_\_\_\_.

**ATTEST**

**CITY OF OCALA**

\_\_\_\_\_  
Angel B. Jacobs  
City Clerk

\_\_\_\_\_  
Kristen Dreyer  
City Council President

**Approved as to form and legality**

**GRESKO SUPPLY, INC.**

\_\_\_\_\_  
William E. Sexton  
City Attorney

\_\_\_\_\_  
  
\_\_\_\_\_  
(Name of Authorized Signatory)

\_\_\_\_\_  
(Title of Authorized Signatory)

## EXHIBIT A SCOPE OF PROFESSIONAL SERVICES

The City of Ocala ("City") seeks competitive proposals from interested and qualified vendors for the supply of high-use single and three-phase pad and pole mount transformers. The principal purpose of this Request for Proposals (RFP) is to establish one or more contracts through competitive negotiation for the purchase of new transformers by the City of Ocala in support of Ocala Electric Utility and the City's Utilities Services Warehouse on both an as needed and emergency basis.

### 1. **SINGLE PHASE POLE-MOUNTED TRANSFORMERS**

#### (a) **ELECTRICAL SPECIFICATIONS.**

- (1) Single voltage overhead conventional pole type; 7200/12470Y (secondary voltage to be specified), 60 Hertz;
- (2) Class OA;
- (3) 65 deg. C. rise;
- (4) No taps unless otherwise specified, complete with ester oil;
- (5) Two primary cover bushings;
- (6) Low-voltage tank-wall bushings with tin-plated clamp type eyelet terminals to accommodate copper and aluminum conductor or secondary connectors with a minimum 5/8" stud.
- (7) Transformer tank to be equipped with automatic pressure relief valve with external release for manual operation with switch stick;
- (8) Transformers to conform to latest ANSI and NEMA Standards. All transformers to be equipped with two (2) hanger brackets on same side of transformer.
- (9) Each transformer shall have an arrester mounted to the transformer tank by means of an "L" type bracket. (This kit contains a flat copper ground strap, a 16" piece of #4-5kv insulated 7 stranded copper conductors with 3/8" terminal lugs at both ends, 2 mounting bolts, and 2 washers). The arrester shall comply with OUS AURSI catalog number E02-01-0009.
- (10) All 167 KVA and larger transformers shall have 2, 2 1/2 % taps above and two 2 1/2 % taps below rated voltage with an external operating handle.
- (11) All single-phase pole mount 833 KVA transformers shall have two primary bushings wells compatible with 8.3 KV 200-amp primary load break elbow terminators.

#### (b) **NAMEPLATE AND PCB INFORMATION.**

- (1) Nameplate shall be made of stainless steel or anodized aluminum and permanently marked with essential operating data and shall meet ANSI Standard C-57.12.00 latest version.
- (2) Transformer oil shall contain natural ester oil, containing no PCBs, and the nameplate shall indicate same.
- (3) Each transformer's secondary lead shall be permanently marked with the letter A, B, C, or D corresponding to the nameplate diagram, by stamping the metal ends.

**EXHIBIT A**  
**SCOPE OF PROFESSIONAL SERVICES**

2. **SINGLE PHASE PAD-MOUNTED TRANSFORMERS**

(a) **ELECTRICAL SPECIFICATIONS.**

- (1) High voltage shall be 12,470/7,200Y. Low voltage shall be 120/240, 60 Hertz
- (2) Class OA, with ester oil;
- (3) 65 deg. C.Rise.
- (4) Transformers shall be of loop feed design with no switching.
- (5) High voltage bushings shall be of dead front construction consisting of bushing wells and removable bushing well inserts to accept all standard 8.3/14.4 KV 200 Amp safe break elbow terminators, and equipped with one storage bushing bracket adjacent to high voltage bushings.
- (6) Transformers shall be equipped with R.T.E. bayonet type oil immersed high voltage fuse with combination fault sensing and overload sensing fuse link or approved oil immersed equal high voltage fuse.
- (7) Low voltage bushings shall be furnished with 5/8" threaded studs for transformers below 100 KVA and 1" threaded stud for sizes 100 KVA and larger.
- (8) Auto pressure relief device with pull ring for hook stick operation to be located within the locked compartments.
- (9) Included brass nuts for 5/8" and 1" threaded studs.
- (10) Primary and secondary bushings shall be arranged to conform to ANSI standard C57.12.25-1990 Type 2.
- (11) All transformers shall have an owner specified warning label affixed to the exterior side of the door per Uticom catalog number U6075W-OEU-08.

(b) **PHYSICAL SPECIFICATIONS.**

- (1) Transformers shall be of low profile design with pitched top to facilitate water run-off.
- (2) High and low voltage compartments shall be completely sealed when door is closed with no exposed removable parts.
- (3) A captive penta head bolt shall be provided for securing the door combined with a recessed integral locking provision to accommodate a standard padlock. The door shall be mounted with stainless steel hinge pins.
- (4) The finish coat of paint shall be Munsell pad mount green 7GY3.29/11.5

(c) **NAMEPLATE AND PCB INFORMATION.**

- (1) Nameplates shall be made of stainless steel or anodized aluminum and permanently marked with essential operating data and shall meet ANSI Standard C57.12.00 latest version.
- (2) Transformer oil shall contain natural ester oil, containing no PCB's, and the nameplate shall indicate same

**EXHIBIT A**  
**SCOPE OF PROFESSIONAL SERVICES**

**3. THREE PHASE PAD-MOUNTED TRANSFORMERS**

**(a) ELECTRICAL SPECIFICATIONS.**

- (1) High voltage shall be 12,470/7,200V, low voltage shall be 120/208V wye or 277/480V wye, or 120/240V delta with center tap, 60 Hertz;
- (2) Class OA, with ester oil;
- (3) 65 deg. C.Rise.
- (4) Transformers shall be of loop feed design with no switching.
- (5) High voltage bushings shall be of dead front construction consisting of bushing wells and removable bushing well inserts to accept all standard 8.3/14.4 KV 200 Amp safe break elbow terminators, and equipped with three storage bushing brackets adjacent to high voltage bushings.
- (6) Transformers shall be equipped with R.T.E. bayonet type sensing and overload sensing fuse links or approved oil immersed equal high voltage fuse.
- (7) Low voltage bushings shall be furnished spade type terminals with holes on NEMA standard spacing.
- (8) Auto pressure relief device with pull ring for hook stick operation to be located within the locked compartments.
- (9) All transformers shall have an owner specified warning label affixed to the exterior side of the door per Uticom catalog number U6075W-OEU-08.

**(b) PHYSICAL SPECIFICATIONS.**

- (1) Transformers shall be of profile design.
- (2) High and low voltage compartments shall be completely sealed when doors are closed with no exposed removable parts.
- (3) A captive penta head bolt shall be provided for securing the doors combined with a recessed door handle to accommodate a standard padlock.
- (4) The high voltage compartment shall be on the left, separated from the low voltage compartment by the fixed steel barrier. It shall be impossible to open the door of the high voltage compartment without having first opened the door of the low voltage compartment.
- (5) Transformers shall be designed with provisions for installation on a flat concrete pad.
- (6) The base of both compartments shall be open to provide maximum accessibility for conduits and/or conductors.
- (7) The door shall be mounted with stainless steel hinge pins.
- (8) The finish coat of paint shall be Munsell pad mount green.
- (9) All transformers 500 KVA and larger shall have externally operated no-load high voltage tap changers. Taps to be two 2 1/2% above and two 2 1/2% below normal voltage.

**EXHIBIT A**  
**SCOPE OF PROFESSIONAL SERVICES**

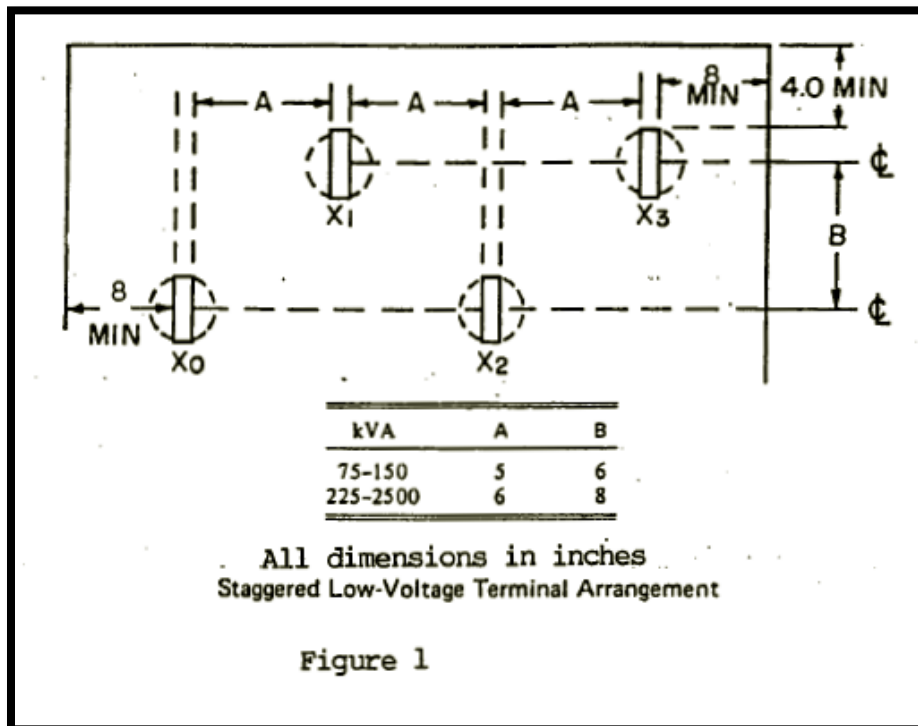
- (10) All transformers with a rating of 150 KVA and above shall have an access hole located in the top of the oil filled compartment, centered laterally and 6 inches behind the bushing mounting surface. This access hole shall be 16 inches x 24 inches in area and sealed from weather using conventional methods.
- (11) All transformers will have 1 inch gate valve and plug located in the bottom-right of the primary compartment. The valve shall be located 6 inches away from the walls of the transformer to allow easy operation by hand. Park bushing stands located in primary compartment will comply with ANSI Standards C57.12.26 figure 2. Secondary bushing on all transformers shall be at least 36 inches but will not exceed 48 inches from the bottom of the transformer. Spacing of the secondary bushings shall conform to Figure- 1 of this specification. All drip plates located below the bayonet fuses shall inhibit the oil from making contact with the primary bushings. It shall also drain itself away from the primary bushing.
- (12) THE LOW VOLTAGE BUSHINGS ON UNITS RATED 150 KVA AND LARGER SHALL BE SUPPORTED WITH AN INSULATING MATERIAL in a manner designed to counteract any downward forces resulting from the connection of multiple cables to the bushings.

**(c) NAMEPLATE AND PCB INFORMATION.**

- (1) Nameplates shall be made of stainless steel or anodized aluminum and permanently marked with essential operating data and shall meet ANSI Standard C57.12.00 latest version.
- (2) Transformer oil shall contain natural ester oil, containing no PCB's, and the nameplate shall indicate same

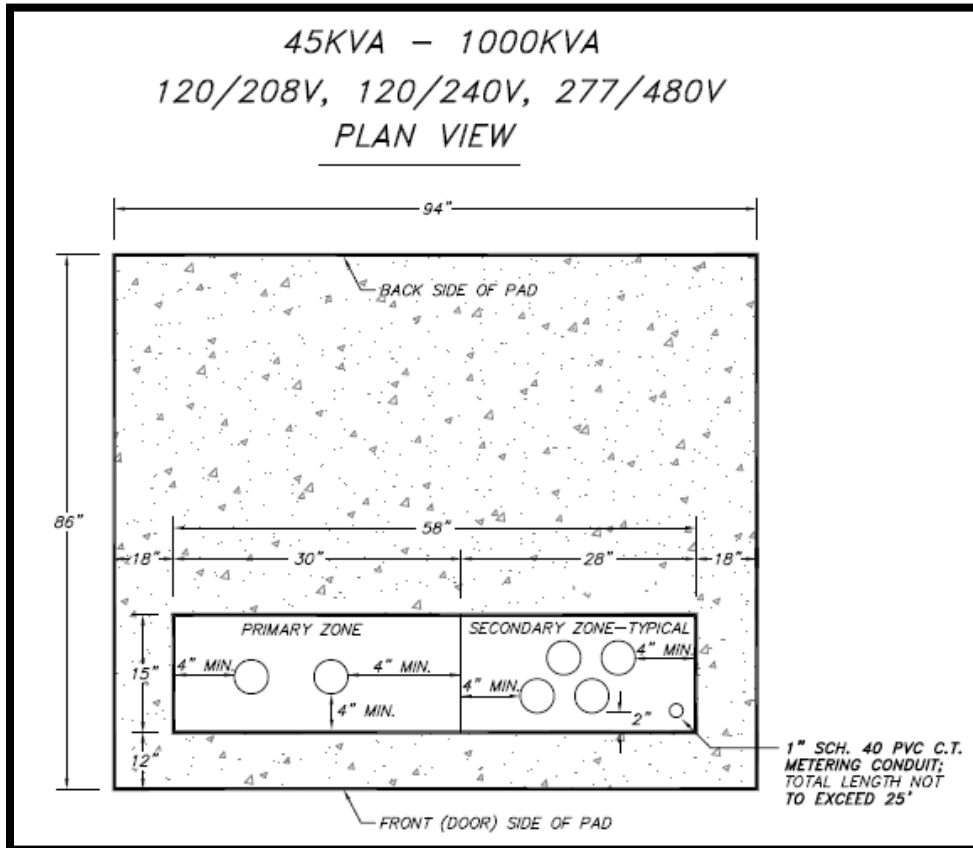
**5. TRANSFORMER DRAWINGS**

(a) Low-Voltage Terminal Arrangements are as per drawing below:

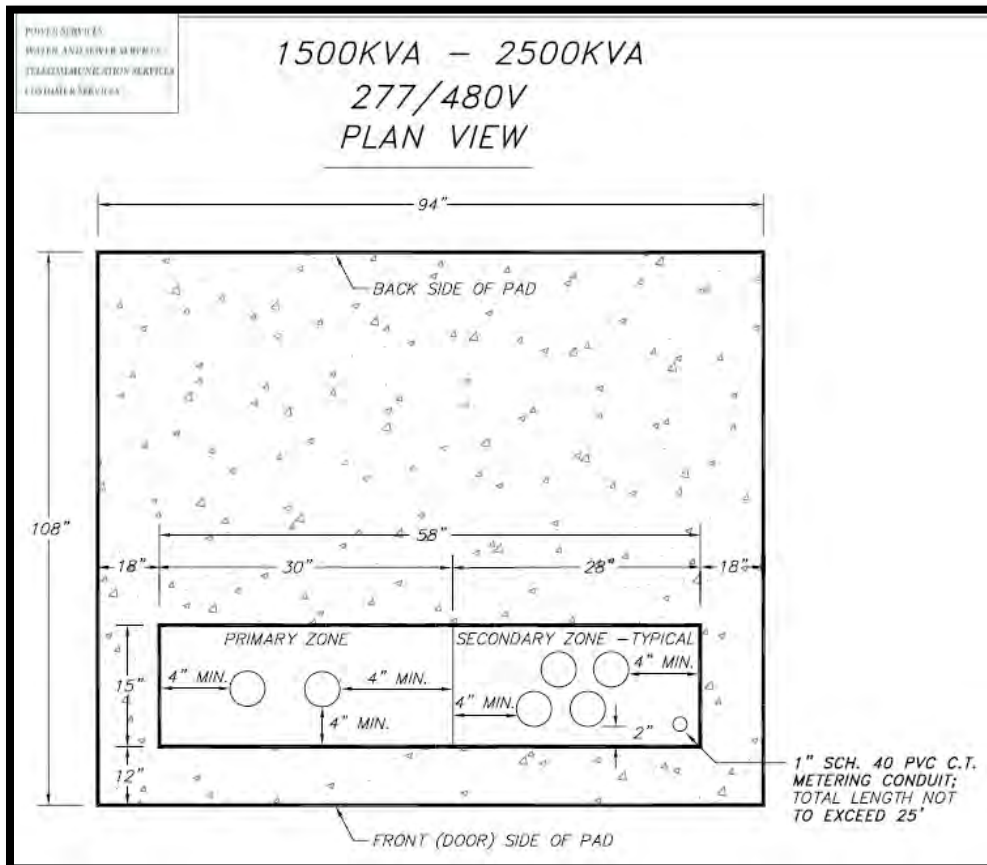


(b) Transformers must fit within the pad's overall dimensions shown below. Transformers must also accommodate the open conduit window of the pad, which the transformer is set on top of.

**EXHIBIT A  
SCOPE OF PROFESSIONAL SERVICES**



(c)



**EXHIBIT A**  
**SCOPE OF PROFESSIONAL SERVICES**

(d) Secondary bushing heights to be as per ANSI specifications, and the table below.

Single Phase Pad Mounted Transformer Vertical Bushing Dimensions (inches*)					
Measured From	Pad Surface				
To (bushing center)	H1A	H1B	X3	X1	X2
25 kVA	9.25	18.25	19	14	9
50 kVA	9.25	18.25	19	14	9
75 kVA	9.25	18.25	19	14	9
100 kVA	9.25	18.25	19	14	9
167 kVA	9.25	18.25	19	14	9

Three Phase Pad Mounted Transformer Vertical Bushing Dimensions (inches*)					
Measured From	Pad Surface				
To (bushing center)	H1	H2	H3	X (low)	X (high)
45 kVA	39	33	27	36	42
75 kVA	39	33	27	36	42
150 kVA	39	33	27	36	42
225 kVA	39	33	27	36	44
300 kVA	39	33	27	36	44
500 kVA	39	33	27	36	44
750 kVA	39	33	27	46	54
1000 kVA	39	33	27	46	54
1500 kVA	39	33	27	46	54
2000 kVA	39	33	27	46	54
2500 kVA	39	33	27	46	54

\* Bushing dimension heights must be within +/- 3" of the dimensions on the table corresponding to the respective transformer size.

(e) All units are to include a Liquid Level and Temperature Gauge.

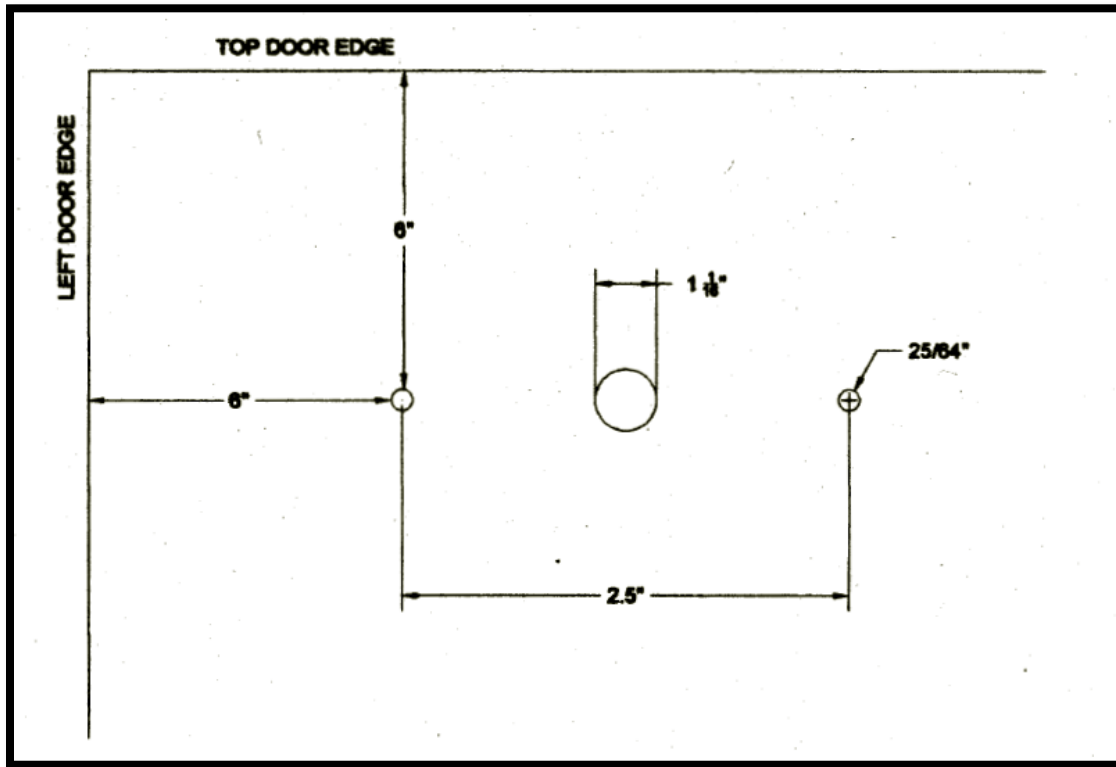
(f) Low voltage spade terminals shall be on all units per chart below:

KVA	208y/120	480y/277
45	4 hole	4 hole
75	4 hole	4 hole
150	6 hole	6 hole
225	6 hole	6 hole
300	10 hole	10 hole
500	10 hole	10 hole
750	10 hole	10 hole
1000	10 hole	10 hole
1500	10 hole	10 hole
2000	N/A	10 hole
2500	N/A	10 hole

(g) All transformer access holes shall be a minimum of 16" x 24" and sealed from weather using conventional methods.

**EXHIBIT A**  
**SCOPE OF PROFESSIONAL SERVICES**

(h) Fault Indicator Mounting Template as per drawing below:



- i. Mounting shall be on upper left of primary door.
- ii. Tamper proof cover plate shall be factory supplied and installed using stainless steel bolts and painted to match transformer.

6. **SAFETY, STANDARDS, AND REGULATORY REQUIREMENTS.**

- (a) The Items supplied shall meet appropriate ANSI and all federal, state, and local standards for its intended use.
- (b) Vendor shall be fully responsible for the provision of adequate and proper safety precautions meeting all OSHA, local, state, and national codes concerning safety provisions for their employees, sub-contractors, all building and site occupants, staff, public, and all persons in or around the work area.
- (c) Prior to completion, storage and adequate protection of all material and equipment will be the Vendor's responsibility.
- (d) **Origin of Goods.** The manufacturing of all products or goods under the resulting contract must occur in a country that is a party to the North American Free Trade Agreement (NAFTA). The supplier must certify that all products supplied under the resulting contract meet this requirement and will provide proof of compliance to the City upon request.

7. **DELIVERY INFORMATION.**

- (a) **DELIVERY TIMES.** Vendor must guarantee lead times as stated in its Proposal submitted in response to RFP No. ELE/250274. The lead times offered will be enforced in the resulting contract and any subsequently issued Purchase Orders.

**EXHIBIT A**  
**SCOPE OF PROFESSIONAL SERVICES**

- (b) **CITY'S NOTIFICATION TO DELIVER.** The City shall provide notification to deliver product through the issuance of a City of Ocala Purchase Order for the materials described herein. Failure to timely deliver product within the time specified for reasons other than Force Majeure or other reasonable delays beyond the control of the vendor may result in termination of the Purchase Order and/or Contract.
- (c) **NOTICE OF SHIPMENT.** Vendor shall provide and the City shall receive a Notice of Shipment at least two (2) business days prior to delivery. The City reserves the right to decline the request or provide an alternate delivery date, time and/or location.

Shipping Notices shall include the City of Ocala Purchase Order number, quantity, and weight of the transformers being shipped and be emailed to:	E-Mail: <a href="mailto:warehouse@ocalafl.gov">warehouse@ocalafl.gov</a>
---	--

- (d) **DELIVERY HOURS AND LOCATION.** Vendor shall contact the Utilities Services Warehouse a minimum of 24-Hours prior to delivery to notify the City of its intent to deliver and to obtain confirmation of final delivery information. Vendor must reference the City of Ocala Purchase Order number, quantity, and weight of the transformers being shipped.

Completed transformers shall be delivered F.O.B. between the hours of 7:00 a.m. and 3:00 p.m. (EST), Monday through Friday excluding City observed holidays.	City of Ocala Utilities Services Warehouse 1805 NE 30 <sup>th</sup> Avenue, Building 700 Ocala, FL 34470 Phone: (352) 351-6715
--	---

- (e) **DOCUMENTATION REQUIRED FOR DELIVERY OF EQUIPMENT.** Vendor shall furnish a data report for each City of Ocala transformer. The data shall be submitted to the Utilities Services Warehouse Manager as a .csv file prior to or at the time of shipment from the factory and contain the information set forth in **Exhibit D – Transformer Information Sheet.**
- (f) **OTHER DELIVERY REQUIREMENTS.**
- (1) Deliveries shall be made in compliance with manufacturer requirements and instructions.
  - (2) Vendor shall deliver transformers via flatbed truck to either to the warehouse or job site and be willing and capable of offloading transformers if/when needed or requested.
  - (3) Transformers shall be arranged on the flatbed truck to allow for accessing via the side so that the transformers can be efficiently unloaded into the storage yard.
  - (4) No item shall be direct shipped to the City without written authorization in advance. All services assigned to sub-contractors must be approved in advance by the Utility Services Warehouse Manager.
  - (5) Vendor shall be responsible for any damage or destruction to public or private property, buildings, curbing, pavement, or landscaping caused by Vendor's delivery or removal of materials. Vendor shall repair or restore any property damaged or destroyed, at Vendor's sole expense, no later than one (1) month from the date of damage.
  - (6) In no event shall the City be responsible for any damages to materials, equipment or clothing that is lost, damaged, destroyed, or stolen. Any emergency situations must be reported immediately to the Project Manager.
  - (7) Should Vendor be advised to leave a property by the property owner or their representative, Vendor shall leave at once without altercation. Vendor shall then contact the Utility Services Warehouse Manager within 24 hours and advise of the reason for not completing the assigned project.

**EXHIBIT A**  
**SCOPE OF PROFESSIONAL SERVICES**

8. **EMERGENCY NEEDS.**

- (a) In the event of a catastrophic event (i.e. storms, hurricanes, tornadoes, etc.), Vendor must be able to provide immediate delivery (48 hours or less) of transformers (smaller size pad mount and overhead units).
- (b) Vendor must provide telephone numbers for no less than three (3) emergency contacts in addition to all primary contacts listed herein. In the event of an emergency, the City must be able to reach one of the Vendor's emergency contacts.
- (c) In the event the Vendor is unable to complete emergency, disaster, holiday, or weekend work as required, or if the City is unable to reach the Vendor, the City reserves the right to use another Vendor.
- (d) Multiple failures to respond to requests for work, and/or failures to answer emergency, disaster, holiday, and weekend work calls may result in termination of the Contract.

9. **PACKING AND SHIPPING.** Vendor shall be responsible for industry standard packing that conforms to the requirements of the carrier's tariffs and other relevant regulations.

- (a) **PACKING REQUIREMENTS.** All equipment must be clearly marked as to lot number, destination, address, and purchase order number.
- (b) **PALLETS.** All transformers will be delivered using one (1) pallet per transformer. **DO NOT STACK** or ship on racks. Pallets shall be designed for movement by pallet jack or forklift with vertical clearance for forks.

10. **INSPECTION.** All goods are subject to final inspection and acceptance by the City of Ocala.

- (a) Upon delivery, transformers will be inspected for defects and conformance to the specifications set forth herein. Vendor will be notified of all compliance issues and mutual arrangements shall be made for correcting the defects at no expense to the City.
- (b) The City reserves the right to reject and return transformers failing to pass inspection. If so returned, the cost of transportation, unpacking, inspection, repacking, reshipping, or other like expenses are the responsibility of the Supplier.
- (c) Charges for dismantling and reinstallation of materials furnished pursuant to this Contract will be the responsibility of the Vendor only when a change out or replacement is required because of a suspected or known design defect or large-scale failure of manufacturer's quality control system.

**END OF SECTION**

## EXHIBIT B - PRICE PROPOSAL FOR UNIT PRICING WITH LOSS EVALUATION

		Exhibit B - Price Proposal for Unit Pricing with Loss Evaluation ITB / ELE#250274 Purchase & Stock of Single and 3 Phase Transformers								
Contractor Name			Contractors' Address							
Gresco Supply, Inc.			6421 CR 219, Wildwood FL, 34785							
TOC = Unit Price + (NLL x 7.109) + (LL x 4.301)										
Item No.	Stock #	Transformer Description	UOM	Unit Price (Vendor to provide unit price in \$)	No-Load Loss (NLL) (Vendor to provide loss amount in Watts)	Load Loss (LL) (Vendor to provide loss amount in Watts)	Total Ownership Cost (TOC)	Estimated Yearly Usage	Extended Total Unit Price	Extended Total Ownership Cost (TOC)
1	E04040003	3 KVA 7200 120/240 SINGLE PHASE POLEMOUNT	EA	\$1,216.00	17	38	\$1,498.76	5	\$6,080.00	\$7,493.81
2**	E04040015	15 KVA 7200 120/240 SINGLE PHASE POLEMOUNT**	EA	\$1,464.00	47	157	\$2,469.15	75	\$109,800.00	\$185,186.25
3**	E04040025	25 KVA 7200 120/240 SINGLE PHASE POLEMOUNT**	EA	\$1,833.00	72	240	\$3,370.61	75	\$137,475.00	\$252,795.60
4**	E04040050	50 KVA 7200 120/240 SINGLE PHASE POLEMOUNT**	EA	\$2,584.00	113	431	\$5,230.88	32	\$82,688.00	\$167,388.10
5	E04040075	75 KVA 7200 120/240 SINGLE PHASE POLEMOUNT	EA	\$3,715.00	137	658	\$7,506.66	8	\$29,720.00	\$60,053.29
6	E04040100	100 KVA 7200 120/240 SINGLE PHASE POLEMOUNT	EA	\$4,002.00	184	774	\$8,622.47	2	\$8,004.00	\$17,244.94
7	E04040167	167 KVA 7200 120/240 SINGLE PHASE POLEMOUNT	EA	\$6,489.00	214	1518	\$14,519.98	1	\$6,489.00	\$14,519.98
8	E04040250	250 KVA 7200 120/240 SINGLE PHASE POLEMOUNT	EA	\$12,549.00	301	1733	\$22,115.35	1	\$12,549.00	\$22,115.35
9	E04040500	500 KVA 7200 120/240 SINGLE PHASE POLEMOUNT	EA				\$0.00	1	\$0.00	\$0.00
10	E04050025	25 KVA 7200 240/480 SINGLE PHASE POLEMOUNT	EA	\$1,800.00	64	257	\$3,354.57	1	\$1,800.00	\$3,354.57
11	E04050050	50 KVA 7200 240/480 SINGLE PHASE POLEMOUNT	EA	\$2,363.00	102	502	\$5,238.04	1	\$2,363.00	\$5,238.04
12	E04050075	75 KVA 7200 240/480 SINGLE PHASE POLEMOUNT	EA	\$3,477.00	150	604	\$7,127.65	1	\$3,477.00	\$7,127.65
13	E04050167	167 KVA 7200 240/480 SINGLE PHASE POLEMOUNT	EA	\$5,384.00	235	1411	\$13,102.18	1	\$5,384.00	\$13,102.18
14	E04050500	500 KVA 7200 240/480 SINGLE PHASE POLEMOUNT	EA				\$0.00	1	\$0.00	\$0.00
15	E04060025	25 KVA 7200 277/480 SINGLE PHASE POLEMOUNT	EA	\$1,804.00	67	242	\$3,315.12	1	\$1,804.00	\$3,315.12
16	E04060050	50 KVA 7200 277/480 SINGLE PHASE POLEMOUNT	EA	\$2,585.00	126	391	\$5,151.09	1	\$2,585.00	\$5,151.09
17	E04060075	75 KVA 7200 277/480 SINGLE PHASE POLEMOUNT	EA	\$3,023.00	135	709	\$7,019.97	1	\$3,023.00	\$7,019.97
18	E04060100	100 KVA 7200 277/480 SINGLE PHASE POLEMOUNT	EA	\$5,250.00	218	681	\$9,709.12	1	\$5,250.00	\$9,709.12
19	E04060167	167 KVA 7200 277/480 SINGLE PHASE POLEMOUNT	EA	\$6,036.00	281	1230	\$13,298.57	1	\$6,036.00	\$13,298.57
20	E04060250	250 KVA 7200 277/480 SINGLE PHASE POLEMOUNT	EA	\$11,254.00	365	1477	\$20,168.51	1	\$11,254.00	\$20,168.51
21	E04060333	333 KVA 7200 277/480 SINGLE PHASE POLEMOUNT	EA				\$0.00	1	\$0.00	\$0.00
22	E04060500	500 KVA 7200 277/480 SINGLE PHASE POLEMOUNT	EA				\$0.00	1	\$0.00	\$0.00
23	E04060667	667 KVA 7200 277/480 SINGLE PHASE POLEMOUNT	EA				\$0.00	1	\$0.00	\$0.00
24	E04060833	833 KVA 7200 277/480 SINGLE PHASE POLEMOUNT	EA				\$0.00	1	\$0.00	\$0.00
25	E05040045	45 KVA 7200 120/208 THREE PHASE PADMOUNT	EA	\$17,583.00	126	423	\$20,286.72	5	\$87,915.00	\$101,433.59
26	E05040075	75 KVA 7200 120/208 THREE PHASE PADMOUNT	EA	\$18,725.00	212	577	\$22,694.71	5	\$93,625.00	\$113,473.53
27	E05040150	150 KVA 7200 120/208 THREE PHASE PADMOUNT	EA	\$27,263.00	362	931	\$33,808.11	9	\$245,367.00	\$304,272.98
28	E05040225	225 KVA 7200 120/208 THREE PHASE PADMOUNT	EA	\$28,736.00	472	1409	\$38,109.08	4	\$114,944.00	\$152,436.31
29	E05040300	300 KVA 7200 120/208 THREE PHASE PADMOUNT	EA	\$30,470.00	606	1905	\$42,916.92	4	\$121,880.00	\$171,667.68
30	E05040500	500 KVA 7200 120/208 THREE PHASE PADMOUNT	EA	\$38,125.00	796	3449	\$58,546.27	2	\$76,250.00	\$117,092.55
31	E05040750	750 KVA 7200 120/208 THREE PHASE PADMOUNT	EA	\$52,512.00	926	4893	\$80,056.39	2	\$105,024.00	\$160,112.77
32**	E05050025	25 KVA 7200 240/120 SINGLE PHASE PADMOUNT**	EA	\$3,155.00	76	188	\$4,497.03	100	\$315,500.00	\$449,703.20

## EXHIBIT B - PRICE PROPOSAL FOR UNIT PRICING WITH LOSS EVALUATION

Item No.	Stock #	Transformer Description	UOM	Unit Price (Vendor to provide unit price in \$)	No-Load Loss (NLL) (Vendor to provide loss amount in Watts)	Load Loss (LL) (Vendor to provide loss amount in Watts)	Total Ownership Cost (TOC)	Estimated Yearly Usage	Extended Total Unit Price	Extended Total Ownership Cost (TOC)
33**	E05050050	50 KVA 7200 240/120 SINGLE PHASE PADMOUNT**	EA	\$4,012.00	119	364	<b>\$6,412.83</b>	140	\$561,680.00	\$897,795.50
34	E05050075	75 KVA 7200 240/120 SINGLE PHASE PADMOUNT	EA	\$5,103.00	186	478	<b>\$8,464.41</b>	50	\$255,150.00	\$423,220.60
35	E05050100	100 KVA 7200 240/120 SINGLE PHASE PADMOUNT	EA	\$5,924.00	221	616	<b>\$10,124.62</b>	25	\$148,100.00	\$253,115.38
36	E05050167	167 KVA 7200 240/120 SINGLE PHASE PADMOUNT	EA	\$8,841.00	318	955	<b>\$15,180.50</b>	6	\$53,046.00	\$91,082.98
37	E05050300	300 KVA 7200 240/120 THREE PHASE PADMOUNT	EA	\$30,312.00	606	1848	<b>\$42,513.76</b>	1	\$30,312.00	\$42,513.76
38	E05050500	500 KVA 7200 240/120 THREE PHASE PADMOUNT	EA	\$37,272.00	843	3289	<b>\$57,335.01</b>	1	\$37,272.00	\$57,335.01
39	E05070045	45 KVA 7200 480Y/277 THREE PHASE PADMOUNT	EA	\$12,078.00	131	422	<b>\$14,812.51</b>	7	\$84,546.00	\$103,687.58
40	E05070075	75 KVA 7200 480Y/277 THREE PHASE PADMOUNT	EA	\$23,771.00	228	461	<b>\$27,354.09</b>	3	\$71,313.00	\$82,062.28
41	E05070150	150 KVA 7200 480Y/277 THREE PHASE PADMOUNT	EA	<b>\$26,862.00</b>	<b>363</b>	<b>798</b>	<b>\$32,842.10</b>	1	\$26,862.00	\$32,842.10
42	E05070225	225 KVA 7200 480Y/277 THREE PHASE PADMOUNT	EA	\$29,728.00	498	1166	<b>\$38,238.43</b>	5	\$148,640.00	\$191,192.14
43	E05070300	300 KVA 7200 480/277 THREE PHASE PADMOUNT	EA	\$30,424.00	590	1579	<b>\$41,356.49</b>	5	\$152,120.00	\$206,782.45
44	E05070500	500 KVA 7200 480Y/277 THREE PHASE PADMOUNT	EA	\$34,761.00	781	2784	<b>\$52,216.82</b>	4	\$139,044.00	\$208,867.29
45	E05070750	750 KVA 7200 480Y/277 THREE PHASE PADMOUNT	EA	\$46,418.00	985	4096	<b>\$70,948.61</b>	5	\$232,090.00	\$354,743.06
46	E05071000	1000 KVA 7200 480/277 THREE PHASE PADMOUNT	EA	\$53,507.00	1313	5279	<b>\$85,427.93</b>	3	\$160,521.00	\$256,283.78
47	E05071500	1500 KVA 7200 480Y/277 THREE PHASE PADMOUNT	EA	\$61,872.00	1712	8756	<b>\$111,548.08</b>	4	\$247,488.00	\$446,192.34
48	E05072000	2000 KVA 7200 480/277 THREE PHASE PADMOUNT	EA	\$71,716.00	2156	9790	<b>\$128,955.75</b>	3	\$215,148.00	\$386,867.26
49	E05072500	2500 KVA 7200 480/277 THREE PHASE PADMOUNT	EA	\$94,285.00	2609	12227	<b>\$165,185.90</b>	2	\$188,570.00	\$330,371.80
ITEM NO.	DESCRIPTION		UOM					Est. Yearly Usage	Extended Total Unit Price	Extended Total Ownership Cost (TOC)
50	DELIVERY FOR SINGLE PHASE TRANSFORMERS		EA	0				536	\$1,769,257.00	\$2,929,199.79
51	DELIVERY FOR THREE PHASE TRANSFORMERS		EA	0				75	\$2,578,931.00	\$3,820,230.22
<b>Grand Totals:</b>									<b>\$4,348,188.00</b>	<b>\$6,749,430.01</b>

**\*\*Items ALWAYS REQUIRED in City's stocking arrangements  
ALL ITEMS MUST BE PRICED AND AVAILABLE FOR STOCKING IF REQUIRED.**

**Exhibit C – SAMPLE TRANSFORMER INFORMATION SHEET**

**CONTRACT# ELE/250274**

<b>TRANSFORMER INFORMATION</b>
<b>CITY ID NUMBER</b>
<b>KVA</b>
<b>SERIAL NUMBER</b>
<b>MANUFACTURER</b>
<b>PRIMARY VOLTAGE</b>
<b>SECONDARY VOLTAGE</b>
<b>PHASE</b>
<b>IMPEDANCE (%)</b>
<b>POLARITY</b>
<b>NUMBER OF BUSHINGS PRIMARY</b>
<b>NUMBER OF BUSHINGS SECONDARY</b>
<b>POLE MOUNT STOCK NUMBER</b>
<b>PAD MOUNT STOCK NUMBER</b>
<b>GALLONS OF OIL</b>
<b>DATE RECEIVED</b>
<b>PURCASHE ORDER NUMBER</b>
<b>VENDOR</b>
<b>COST</b>
<b>NO-LOAD LOSS (Watts)</b>
<b>LOAD LOSS (Watts)</b>



Gresco Supply Inc.  
6421 CR. 219  
Wildwood, FL 34785  
(352) 748-9550  
In Business Since 1960 (65 years)

## **Transmittal Letter**

### **Deviations or Exceptions**

The only deviation Gresco has is the no-quote on the pole mounts larger than 250kva as neither Cooper nor ERMCO can offer since it is out of their scope. I did not list this as an exception as this does not deviate from the specifications. All other specifications will be met.

### **Scope of Work**

Gresco fully understands the scope of work detailed in this bid. We currently provide successful service to many other utilities including stocking, delivery and warranty maintenance, when necessary, regarding transformers. Gresco is a stocking distributor with over 60 years experience doing so. We also have two manufacturers for transformers which allows us options within the scope of the contract to alleviate any delays or issues that may arise. Gresco also has the capabilities for extra services such as job site delivery, crane service, job kitting and emergency response with our own equipment. Attached will be a summary of these services.

### **Affirmative Statement**

Gresco has received, read and understands all procedures and criteria associated with this bid submittal and agree to all terms and conditions that would come with the contract.

**Technical Proposal**

Gresco is fully aware of all terms and conditions set forth in the Scope of Work associated with this bid submittal and are willing to comply.

All transformers quoted within this bid are in accordance with the specifications provided by the city. The only units not quoted are the pole mounts that are over 250kva as our manufacturers are unable to offer due to them being out of the scope they offer. All pricing provided is valid and accurate. Pricing will be on a quarterly basis and based on the CPI index that will be shared each quarter with the City of Ocala. A sample CPI breakdown is also attached labeled "CPI Adjustment". Each quarter a spreadsheet will be sent showing that quarter's pricing along with the dollar amount change (+/-) as well as the percent change (+/-). Of course, this can be adjusted to include/not include any information the city sees fit. Gresco understands and is willing to stock the units required by the city and will have open communication on stocking levels and lead times on non-stock units.

**Warranty**

In accordance with the solicitation documentation the warranty for the units is 36 months. Any issue with functionality to appearance that is not user inflicted is covered and will be fixed at no cost to the city. If such an issue arises, Gresco will coordinate the pickup, repair and return at no expense to the City of Ocala. In some cases, the repair will be made on site with the approval of the city by a certified and qualified person.

Outside of the warranty window, the manufacturer can pickup the unit, evaluate and repair at the city's expense if approved. If for some reason the city decides not to go forward with the repair, the city will be liable for the freight to the manufacturer and evaluation fee. That will determine the size and type of unit being repaired.

**Experience and Past Performance**

Gresco has extensive experience and knowledge specifically regarding the sale and stocking of transformers. We have been in this business for over 60 years providing transformers across the southeast. Specifically in Florida, Gresco has supplied every municipal and cooperative with transformers including contracts, direct shipment and delivery via our fleet. We are currently under contract with several municipals providing transformers with the same manufacturers quoted herein. We have been successful in retaining this business due largely in part to our stocking, pricing, customer service and availability. Gresco has been able to provide transformers on a consistent basis even through the trails and

challenges the past few years has brought. We are currently at a point where we can stock all/any units needed by the city for immediate shipment due to our relationship with our transformer suppliers. In fact, we currently have units stocked for the City of Ocala ready for shipment. Attached you will find references for other municipals that purchase transformers currently and have been for years.

**Ability to Meet Needs**

Due to our relationships and agreements with our suppliers, Gresco has a guaranteed supply of transformers which Ocala will get what is required per the contract. Stocking and otherwise. As it pertains to stocking, Gresco operates on over 20 acres of gated concrete which allows us to stock the quantities required by the city. We are also located under 30 miles away from the city's warehouse. Gresco has our own fleet of trucks and experienced drivers that deliver to multiple locations daily with the help of our 50+ employees in the Wildwood location alone. Gresco has coordinators just for the receiving material and the delivery which ensures we can accurately deliver the correct material in a timely manner.

In case of an emergency or natural disaster, Gresco is equipped with the manpower and equipment to get material to the city once roads are deemed safe for travel. We all work around the clock during these times to ensure the customer is taken care of. Gresco will also increase stock ahead of storm season where needed to ensure stock is available to the city. I have attached a list of contacts as well that can be contacted at any time. Our main priority is to assist the end user in getting the power back on with the customer service needed to do so.

As regards to reporting, Gresco will provide a quarterly spreadsheet showing the most current pricing and any changes (+/-) from the previous quarter included with a copy of the CPI index. A sample is attached and can be changed/manipulated to the format the city requests. We have a dedicated expeditor that tracks every open order and updates our system with the lead time/ETA. A spreadsheet can be sent bi-weekly or monthly depending on your need with the open orders for each unit and lead times as well as the current stock levels at our facility. Again, this can have a little or as much info you would like. A spreadsheet will also be sent each time a delivery is made showing all info including kva, serial number, gallons and purchase order.

If awarded this contract Gresco will be able to order immediately and supply Ocala with the stock units we currently have. There will be no transition time beyond the normal lead times which I listed below:

Pole Mounts = 10-12 Weeks

1PH Pads = 12-14 Weeks

3PH Pads (1500 and below) = 14-16 Weeks

3PH Pads (2000 and above) = 24-26 Weeks

**X** *Stephen Moss*

---

Stephen Moss  
Account Manager  
3/17/2025



## Contacts

Stephen Moss  
Account Manager  
352-586-5619  
[Stephen.moss@gresco.com](mailto:Stephen.moss@gresco.com)

Anthony Mells  
Coordinator  
352-748-9550  
[Anthony.mells@gresco.com](mailto:Anthony.mells@gresco.com)

Mark Grant  
District manager  
321-363-7249  
[Mark.grant@gresco.com](mailto:Mark.grant@gresco.com)

Barry Marquart  
Sales Manager  
352-626-2941  
[Barry.marquart@gresco.com](mailto:Barry.marquart@gresco.com)

Vicki Vernon  
Inside Sales Manager  
352-748-9550  
[Vicki.Vernon@gresco.com](mailto:Vicki.Vernon@gresco.com)

Cheri Mclellan  
Purchasing Manager  
352-748-9550  
[Cherie.mclellan@gresco.com](mailto:Cherie.mclellan@gresco.com)

Virgil Cole  
Warehouse Manager  
352-661-0121  
[Virgil.Cole@gresco.com](mailto:Virgil.Cole@gresco.com)

**Price Adjustment Methodology**

**Base Price:**

Quoted prices are base prices. Base Prices will be subject to review annually. If new negotiated base prices are agreed upon, Eaton will establish new base index values at that time using the most recent published indices and reset the CPI value to zero. Quarterly adjustments via CPI will apply forward from that date. CPI adjustments shall not result in a price lower than the base price.

**Price Escalation-Commodity Price Index (CPI)**

Base Prices are subject to quarterly fluctuations via Eaton’s Commodity Price Index (CPI), as defined below. Definitions of the indices used for each component can be found at the end of the Price Adjustment Section.

The Base values, shall be index values published for use in the quarter which this quote is prepared, unless otherwise noted.

**Adjustment Timing**

Pricing adjustments will be announced mid-month proceeding the new quarter and will be effective for orders starting the first day of the new quarter. Example: Q4 2025 pricing adjustments will be announced on or about September 15th, 2025 and the change in price will be effective October 1st, 2025.

**CPI Weights**

CPI will be based upon the percentage Transformer or Voltage Regulator component weights below.

<b>Cost Component</b>	<b>Transformer Content</b>	<b>Voltage Regulator Content</b>
Carbon Steel	8%	1.3%
Silicon steel	25%	12.2%
Copper	3%	2.3%
Aluminum	6%	3.6%
Mineral Oil	10%	4.9%
Manufacturing Labor	10%	12.5%
No Adjustment	38%	63.2%
Total	100%	100%

Stainless Steel may be included in the adjustment methodology and will be dependent to the extent which it is used in the manufacture of products associated with this quotation. The Carbon Steel content percentage may also be impacted by the inclusion of Stainless Steel in the adjustment methodology.

**CPI Adjustment Factor**

To arrive at the component adjustment amounts, the weight will be multiplied by the percentage change in the indices between the base period and the quarterly updated value for each component. The base period shall be values used for 4Q24 CPI adjustments, which are August 2024 values.

## EXHIBIT D - VENDOR'S PROPOSAL

The changes in the individual component values are then summed to obtain the CPI Adjustment Factor.

	A	B	C	D	E
Cost Component	Transformer Content	Base Index Values-August 2024	Current Adjustment Period Index	% Change in Commodity Value	Transformer Impact Change
			Value-(Example Only)		
Carbon Steel	8.0%	\$32.90	\$111.00	237%	18.99%
Silicon steel	25.0%	\$1.00	\$1.10	10%	2.50%
Copper	3.0%	\$4.07	\$4.75	17%	0.50%
Aluminum	6.0%	\$1.06	\$1.75	65%	3.91%
Mineral Oil	10.0%	\$3.00	\$1.15	-62%	-6.17%
Labor	10.0%	\$24.87	\$26.25	6%	0.55%
No Adjustment	38.0%		-	-	-
Total	100%		Formula	(C-B)/B	A*D
<b>CPI Adjustment Factor</b>					<b>20.29%</b>

### Nuisance Collars

1. In an attempt to avoid the cost of frequent price changes for both Eaton and customers, if the CPI Adjustment Factor is within a range of +/-1% the adjusted price will be the original base price.
2. If the CPI Adjustment Factor is within a range of +/-1% from the CPI Adjustment Factor that was used for the previous adjustment, no adjustment will occur.

### Price Adjustment Calculation

If a Nuisance Collar does not prevent an adjustment from occurring, the original base price is multiplied by (1+CPI Factor) to obtain the Final Adjusted CPI price. The Final Adjusted CPI price shall not go below the agreed upon base price.

Time	Eaton Quoted Base Price	CPI Adjustment Factor	Calculated Price	Final Adjusted CPI Price	Notes
Adj Period 1	\$ 1,000	0.5%	\$ 1,005	\$ 1,000	Adjustment does not take place because the CPI Adjustment Factor is between +/- 1% of the quoted base price
Adj Period 2	\$ 1,000	-0.5%	\$ 995	\$ 1,000	Adjustment does not take place because the CPI Adjustment Factor is between +/- 1% of the quoted base price
Adj Period 3	\$ 1,000	1.2%	\$ 1,012	\$ 1,012	Adjustment does take place because CPI Adjustment Factor is not between +/- 1% of the original base value.
Adj Period 4	\$ 1,000	1.9%	\$ 1,019	\$ 1,012	Adjustment does not take place because CPI Adjustment Factor is not +/- 1% away from the previous CPI Adjustment Factor
Adj Period 5	\$ 1,000	2.3%	\$ 1,023	\$ 1,023	Adjustment does take place because CPI Adjustment Factor is +/- 1% away from last time an adjustment occurred-Adj Period 3.
Adj Period 6	\$ 1,000	1.5%	\$ 1,015	\$ 1,023	Adjustment does not take place because CPI Adjustment Factor is not +/- 1% away from the previous CPI Adjustment-Adj Period 5

## EXHIBIT D - VENDOR'S PROPOSAL

<b>Adj Period 7</b>	\$ 1,000	0.9%	\$ 1,009	\$ 1,000	Adjustment does take place because the CPI Adjustment Factor is within +/- 1% of the original base value. This results in the adjustment equaling the original quoted base price.
<b>Adj Period 8</b>	\$ 1,000	-0.8%	\$ 992	\$ 1,000	Adjustment does not take place because the CPI Adjustment Factor is within +/- 1% of the original base value. This results in the adjustment equaling the original quoted base price.
<b>Adj Period 9</b>	\$ 1,000	-1.5%	\$ 985	\$ 1,000	Adjustment does not takes place because the calculated price is below the Quoted Base Price

### Index Definitions

#### **LME Copper:**

The source data is the LME monthly average rate converted to US dollars/lb. In some instances, when market conditions dictate, the copper model includes the MW Platts Premium in US dollars/lb. Following is a link to the LME Copper pricing. Once at the following link you need to sign into LME's free service to access the historical "Average prices" data.

<http://www.lme.com/en-gb/metals/non-ferrous/copper/>

Index is the average "Copper" price per tonne for a "Cash buyer."

#### **LME Aluminum:**

The source data is the LME monthly average rate converted to US dollars/lb plus the MW Platts Premium in US dollars/lb. Following is a link to the LME Aluminum pricing. Once at the following link you need to sign into LME's free service to access the historical "Average prices" data.

<http://www.lme.com/metals/non-ferrous/aluminium/>

Index is the average "Aluminum" price per tonne for a "Cash buyer."

#### **Dielectric Fluid:**

The source data for mineral oil valuation changed in January 2010. The former source ceased publication. Eaton's Supply Chain department supplied the following industry formula: (West Texas Intermediate Crude (WTI), BBL Price / 42 gallons) + \$1.17 = Mineral Oil index value. The WTI value is the posted monthly value from the Energy Information Administration;

<http://tonto.eia.doe.gov/dnav/pet/hist/LeafHandler.ashx?n=PET&s=rwtc&f=M>. The percent change value for mineral oil has been restated using this new formula.

#### **Carbon Steel:**

The source data is published by CRU <https://cruindices.com/> The index used in from the report is the steel base price for Hot-Rolled Sheet. The value during the month's 2<sup>nd</sup> week is used to determine the index.

#### **Labor:**

The source data is published by the United States Bureau of Labor Statistics and is series CEU3133500008 "Average Hourly earnings of production and non-supervisory employees, electrical equipment and appliances."

#### **\*Silicon Steel Index:**

Due to its uniqueness, Eaton uses core steel market price indicators supplied by its supply chain department to create the index data

**EXHIBIT D - VENDOR'S PROPOSAL**

**ATTACHMENT 1 – SPECIFICATION EXCEPTION FORM**

**Request for Proposals No. ELE/250274  
Single and Three-Phase Pad and Pole-Mount Transformers**

Proposer must complete and upload an executed copy of this **Attachment 1 – Specification Exception Form** in order to indicate whether or not there are exceptions to the specifications set forth in Section 3 of this Request for Proposals. If no exceptions are proposed, Vendor must indicate by checking the box marked “No Exceptions to Specifications” below. Failure to complete and have Attachment 1 signed by an authorized representative of the company may result in proposal rejection.

<b>Page / Paragraph No.</b>	<b>EXCEPTION</b>

*If additional pages are needed, please attach additional sheets to this page*

**PROPOSER HAS NO EXCEPTIONS TO ANY OF THE SPECIFICATIONS SET FORTH IN SECTION 3 OF THIS REQUEST FOR PROPOSALS.**

Gresco Supply, Inc.  
\_\_\_\_\_  
Company Name

Stephen Moss  
\_\_\_\_\_  
Printed Name of Authorized Signatory

*Stephen Moss*  
\_\_\_\_\_  
Signature of Authorized Signatory



Eaton Power Systems Division  
 1319 Lincoln Ave  
 Waukesha, WI 53186 US

Item Number: 1.0

Catalog #: EB2A12072Y2JR39

**Item Details**

**Customer Part Number: E04040015**

**Customer RFQ Information:** Spec: Single Phase Pole Mounted Transformers 7200/12470Y -- dated: 2020-01-15

**Drawing:** OKQ2R70D

Price Each	Quantity	Extended Price
	75	

Lead-time (Per Lead-time definition in Proposal Specifics):  
 Approval Drawing Lead-time: 3 weeks upon receipt of order  
 Manufacturing Lead-time: 12 weeks after release of order by customer

kVA	15 kVA 1-Phase Pole-mount Transformer
Configuration	Standard Design
Mounting Provisions	Hanger Brackets (One Set)
Temperature Rise	65 degree average winding rise
Cooling Class	KNAN
Insulating fluid	Envirotemp FR3
Efficiency Standard	DOE 2016
High Voltage	7200/12470Y
High Voltage kV Class	15 kV Class
High Voltage BIL	95 kV BIL
Taps	No Taps
Primary Bushings	15 kV Cover Mount (Qty: 2)
Primary Arrester	Evolution, Heavy-duty/Riser Pole, Polymer 9 kV (Qty: 1)
Overcurrent Protection	None
Low Voltage	120/240
Low Voltage kV Class	1.2 kV Class
Low Voltage BIL	30 kV BIL
Secondary Bushings	5/8 Eyebolt with 3/8-16 stud (polymer) (Qty:3)
Coatings	ANSI 70 Sky Gray - Munsell 5.0BG 7.0/0.4
Tank Construction	Mild Steel
Decal / Stencil Options	Sequential Number Decal/Stencil
Gauges & Fittings	PRD, 50 SCFM
Packaging	Standard Pallet
----- Additional Features -----	
5 - Accessory	5 kV Leads
6 - Accessory	Transformer Card (Exhibit A)

**Proposal Number: B251434419P**

**Revision: 2**

Page: 11/115



Eaton Power Systems Division  
1319 Lincoln Ave  
Waukesha, WI 53186 US

Item Number: 1.0

Catalog #: EB2A12072Y2JR39

**Item Details**

PERFORMANCE DATA:	
No Load Losses @100% Average - For Information Only (@ 20 C)	47. Watts
Load Losses Average (Incl Breaker) - For Information Only (@ 85 C)	157. Watts
Impedance	1.66% (For Reference Only)
Fluid Weight	71. lbs
Total Weight	275. lbs
Fluid Volume	9.3 Gal
Tank Diameter	13.75 inches
Overall Height	35.7 inches
Overall Width	22.9 inches
Overall Depth	20.7 inches
Outside Tank Height	26.32 inches
Cover Tank Height	28.05 inches
Primary Conductor Material	Aluminum
Secondary Conductor Material	Aluminum



Eaton Power Systems Division  
 1319 Lincoln Ave  
 Waukesha, WI 53186 US

Item Number: 2.0

Catalog #: EB2A12072Y3JR4L

**Item Details**

**Customer Part Number: E04040025**

**Customer RFQ Information:** Spec: Single Phase Pole Mounted Transformers 7200/12470Y -- dated: 2020-01-15

**Drawing:** OKQ2R7OL

Price Each	Quantity	Extended Price
	75	

Lead-time (Per Lead-time definition in Proposal Specifics):  
 Approval Drawing Lead-time: 3 weeks upon receipt of order  
 Manufacturing Lead-time: 12 weeks after release of order by customer

kVA	25 kVA 1-Phase Pole-mount Transformer
Configuration	Standard Design
Mounting Provisions	Hanger Brackets (One Set)
Temperature Rise	65 degree average winding rise
Cooling Class	KNAN
Insulating fluid	Envirotemp FR3
Efficiency Standard	DOE 2016
High Voltage	7200/12470Y
High Voltage kV Class	15 kV Class
High Voltage BIL	95 kV BIL
Taps	No Taps
Primary Bushings	15 kV Cover Mount (Qty: 2)
Primary Arrester	Evolution, Heavy-duty/Riser Pole, Polymer 9 kV (Qty: 1)
Overcurrent Protection	None
Low Voltage	120/240
Low Voltage kV Class	1.2 kV Class
Low Voltage BIL	30 kV BIL
Secondary Bushings	13/16 Eyebolt with 3/8-16 stud (polymer) (Qty:3)
Coatings	ANSI 70 Sky Gray - Munsell 5.0BG 7.0/0.4
Tank Construction	Mild Steel
Decal / Stencil Options	Sequential Number Decal/Stencil
Gauges & Fittings	PRD, 50 SCFM
Packaging	Standard Pallet
----- Additional Features -----	
3 - Accessory	5 kV Leads
4 - Accessory	Transformer Card (Exhibit A)

**Proposal Number: B251434419P**

**Revision: 2**

Page: 13/115



Eaton Power Systems Division  
1319 Lincoln Ave  
Waukesha, WI 53186 US

Item Number: 2.0

Catalog #: EB2A12072Y3JR4L

**Item Details**

PERFORMANCE DATA:	
No Load Losses @100% Average - For Information Only (@ 20 C)	72. Watts
Load Losses Average (Incl Breaker) - For Information Only (@ 85 C)	240. Watts
Impedance	1.51% (For Reference Only)
Fluid Weight	94. lbs
Total Weight	373. lbs
Fluid Volume	12.3 Gal
Tank Diameter	14.88 inches
Overall Height	38.7 inches
Overall Width	23.9 inches
Overall Depth	22.2 inches
Outside Tank Height	29.32 inches
Cover Tank Height	31.12 inches
Primary Conductor Material	Aluminum
Secondary Conductor Material	Aluminum



Eaton Power Systems Division  
 1319 Lincoln Ave  
 Waukesha, WI 53186 US

Item Number: 3.0

Catalog #: EB2A12072Y5JR2U

**Item Details**

**Customer Part Number: E04040050**

**Customer RFQ Information:** Spec: Single Phase Pole Mounted Transformers 7200/12470Y -- dated: 2020-01-15

**Drawing:** OKQ2R70T

Price Each	Quantity	Extended Price
	32	

Lead-time (Per Lead-time definition in Proposal Specifics):  
 Approval Drawing Lead-time: 3 weeks upon receipt of order  
 Manufacturing Lead-time: 12 weeks after release of order by customer

kVA	50 kVA 1-Phase Pole-mount Transformer
Configuration	Standard Design
Mounting Provisions	Hanger Brackets (One Set)
Temperature Rise	65 degree average winding rise
Cooling Class	KNAN
Insulating fluid	Envirotemp FR3
Efficiency Standard	DOE 2016
High Voltage	7200/12470Y
High Voltage kV Class	15 kV Class
High Voltage BIL	95 kV BIL
Taps	No Taps
Primary Bushings	15 kV Cover Mount (Qty: 2)
Primary Arrester	Evolution, Heavy-duty/Riser Pole, Polymer 9 kV (Qty: 1)
Overcurrent Protection	None
Low Voltage	120/240
Low Voltage kV Class	1.2 kV Class
Low Voltage BIL	30 kV BIL
Secondary Bushings	13/16 Eyebolt with 1/2-13 stud (polymer) (Qty:3)
Coatings	ANSI 70 Sky Gray - Munsell 5.0BG 7.0/0.4
Tank Construction	Mild Steel
Decal / Stencil Options	Sequential Number Decal/Stencil
Gauges & Fittings	PRD, 50 SCFM
Packaging	Standard Pallet
----- Additional Features -----	
3 - Accessory	5 kV Leads
4 - Accessory	Transformer Card (Exhibit A)

# EXHIBIT D - VENDOR'S PROPOSAL



Eaton Power Systems Division  
1319 Lincoln Ave  
Waukesha, WI 53186 US

Item Number: 3.0

Catalog #: EB2A12072Y5JR2U

## Item Details

PERFORMANCE DATA:	
No Load Losses @100% Average - For Information Only (@ 20 C)	113. Watts
Load Losses Average (Incl Breaker) - For Information Only (@ 85 C)	431. Watts
Impedance	2.12% (For Reference Only)
Fluid Weight	132. lbs
Total Weight	569. lbs
Fluid Volume	17.2 Gal
Tank Diameter	18.50 inches
Overall Height	37.9 inches
Overall Width	27.3 inches
Overall Depth	25.8 inches
Outside Tank Height	28.45 inches
Cover Tank Height	30.44 inches
Primary Conductor Material	Aluminum
Secondary Conductor Material	Aluminum



Eaton Power Systems Division  
 1319 Lincoln Ave  
 Waukesha, WI 53186 US

Item Number: 4.0

Catalog #: EB2A12072Y6JR1E

**Item Details**

**Customer Part Number: E04040075**

**Customer RFQ Information:** Spec: Single Phase Pole Mounted Transformers 7200/12470Y -- dated: 2020-01-15

**Drawing:** OKQ2R7P1

Price Each	Quantity	Extended Price
	8	

Lead-time (Per Lead-time definition in Proposal Specifics):  
 Approval Drawing Lead-time: 3 weeks upon receipt of order  
 Manufacturing Lead-time: 12 weeks after release of order by customer

kVA	75 kVA 1-Phase Pole-mount Transformer
Configuration	Standard Design
Mounting Provisions	Hanger Brackets (One Set)
Temperature Rise	65 degree average winding rise
Cooling Class	KNAN
Insulating fluid	Envirotemp FR3
Efficiency Standard	DOE 2016
High Voltage	7200/12470Y
High Voltage kV Class	15 kV Class
High Voltage BIL	95 kV BIL
Taps	No Taps
Primary Bushings	15 kV Cover Mount (Qty: 2)
Primary Arrester	Evolution, Heavy-duty/Riser Pole, Polymer 9 kV (Qty: 1)
Overcurrent Protection	None
Low Voltage	120/240
Low Voltage kV Class	1.2 kV Class
Low Voltage BIL	30 kV BIL
Secondary Bushings	15/16 Eyebolt with 3/4-10 stud (polymer) (Qty:3)
Coatings	ANSI 70 Sky Gray - Munsell 5.0BG 7.0/0.4
Tank Construction	Mild Steel
Decal / Stencil Options	Sequential Number Decal/Stencil
Gauges & Fittings	PRD, 50 SCFM
Packaging	Standard Pallet
----- Additional Features -----	
3 - Accessory	5 kV Leads
4 - Accessory	Transformer Card (Exhibit A)

# EXHIBIT D - VENDOR'S PROPOSAL



Eaton Power Systems Division  
1319 Lincoln Ave  
Waukesha, WI 53186 US

Item Number: 4.0

Catalog #: EB2A12072Y6JR1E

## Item Details

PERFORMANCE DATA:	
No Load Losses @100% Average - For Information Only (@ 20 C)	137. Watts
Load Losses Average (Incl Breaker) - For Information Only (@ 85 C)	658. Watts
Impedance	2.38% (For Reference Only)
Fluid Weight	191. lbs
Total Weight	777. lbs
Fluid Volume	24.9 Gal
Tank Diameter	20.00 inches
Overall Height	43.7 inches
Overall Width	28.7 inches
Overall Depth	28.4 inches
Outside Tank Height	33.94 inches
Cover Tank Height	36.30 inches
Primary Conductor Material	Aluminum
Secondary Conductor Material	Aluminum



Eaton Power Systems Division  
 1319 Lincoln Ave  
 Waukesha, WI 53186 US

Item Number: 5.0

Catalog #: EE1A12072Y7JR00

**Item Details**

**Customer Part Number: E04040100**

**Customer RFQ Information:** Spec: RFP # ELE/250274 -- dated: 2025-02-10 | Ocala ELE 250274 Exhibit A- Price Proposal with Total Losses -- dated: 2025-02-10

**Catalog #:** \*\*EE1A12072Y7JR00 \*\*

**Drawing:** M064ML76

Price Each	Quantity	Extended Price
	2	

Lead-time (Per Lead-time definition in Proposal Specifics):  
 Approval Drawing Lead-time: 3 weeks upon receipt of order  
 Manufacturing Lead-time: 30 weeks after release of order by customer

kVA	100 kVA 1-Phase Pole-mount Transformer
Configuration	Standard Design
Mounting Provisions	Hanger Brackets (One Set)
Temperature Rise	65 degree average winding rise
Cooling Class	KNAN
Insulating fluid	Envirotemp FR3
Efficiency Standard	DOE 2016
High Voltage	7200/12470Y
High Voltage kV Class	15 kV Class
High Voltage BIL	95 kV BIL
Taps	No Taps
Primary Bushings	15 kV Cover Mount (Qty: 2)
Primary Arrester	Evolution, Heavy-duty/Riser Pole, Polymer 9 kV (Qty: 1)
Overcurrent Protection	None
Low Voltage	120/240
Low Voltage kV Class	1.2 kV Class
Low Voltage BIL	30 kV BIL
Secondary Bushings	1¼ Double Eyebolt with 1-14 stud (polymer) (Qty:3)
Coatings	ANSI 70 Sky Gray - Munsell 5.0BG 7.0/0.4
Tank Construction	Mild Steel
Decal / Stencil Options	Sequential Number Decal/Stencil
Gauges & Fittings	PRD, 50 SCFM
Packaging	Standard Pallet
----- Additional Features -----	
3 - Accessory	5 kV Leads

**Proposal Number: B251434419P**

**Revision: 2**

Page: 19/115



Eaton Power Systems Division  
 1319 Lincoln Ave  
 Waukesha, WI 53186 US

Item Number: 5.0

Catalog #: EE1A12072Y7JR00

**Item Details**

4 - Accessory

Transformer Card (Exhibit B)

PERFORMANCE DATA:	
No Load Losses @100% Average - For Information Only (@ 20 C)	184. Watts
Load Losses Average (Incl Breaker) - For Information Only (@ 85 C)	774. Watts
Impedance	2.08% (For Reference Only)
Fluid Weight	357. lbs
Total Weight	1093. lbs
Fluid Volume	46. Gal
Tank Diameter	25.00 inches
Overall Height	44.12 inches
Overall Width	33.42 inches
Overall Depth	33.84 inches
Outside Tank Height	32.00 inches
Cover Tank Height	36.76 inches
Primary Conductor Material	Aluminum
Secondary Conductor Material	Aluminum

# EXHIBIT D - VENDOR'S PROPOSAL



Eaton Power Systems Division  
 1319 Lincoln Ave  
 Waukesha, WI 53186 US

Item Number: 6.0

Catalog #: EE1A42072Y8JR00

## Item Details

**Customer Part Number: E04040167**

**Customer RFQ Information:** Spec: RFP # ELE/250274 -- dated: 2025-02-10 | Ocala ELE 250274 Exhibit A- Price Proposal with Total Losses -- dated: 2025-02-10

**Catalog #:** \*\*EE1A42072Y8JR00 \*\*

**Drawing:** M064ML7E

Price Each	Quantity	Extended Price
	1	

Lead-time (Per Lead-time definition in Proposal Specifics):  
 Approval Drawing Lead-time: 3 weeks upon receipt of order  
 Manufacturing Lead-time: 30 weeks after release of order by customer

kVA	167 kVA 1-Phase Pole-mount Transformer
Configuration	Standard Design
Mounting Provisions	Hanger Brackets (One Set)
Temperature Rise	65 degree average winding rise
Cooling Class	KNAN
Insulating fluid	Envirotemp FR3
Efficiency Standard	DOE 2016
High Voltage	7200/12470Y
High Voltage kV Class	15 kV Class
High Voltage BIL	95 kV BIL
Taps	2 - 2.5% taps above and 2 - 2.5% taps below nominal
Tap Changer	5-position tap changer
Primary Bushings	15 kV Cover Mount (Qty: 2)
Primary Arrester	Evolution, Heavy-duty/Riser Pole, Polymer 9 kV (Qty: 1)
Overcurrent Protection	None
Low Voltage	120/240
Low Voltage kV Class	1.2 kV Class
Low Voltage BIL	30 kV BIL
Secondary Bushings	H Spade with 1 1/4-12 stud (polymer, 4-hole) (Qty:4)
Coatings	ANSI 70 Sky Gray - Munsell 5.0BG 7.0/0.4
Tank Construction	Mild Steel
Decal / Stencil Options	Sequential Number Decal/Stencil
Gauges & Fittings	PRD, 50 SCFM
Packaging	Standard Pallet

----- Additional Features -----

**Proposal Number: B251434419P**

**Revision: 2**

Page: 21/115

# EXHIBIT D - VENDOR'S PROPOSAL



Eaton Power Systems Division  
1319 Lincoln Ave  
Waukesha, WI 53186 US

Item Number: 6.0

Catalog #: EE1A42072Y8JR00

## Item Details

3 - Accessory

5 kV Leads

4 - Accessory

Transformer Card (Exhibit B)

PERFORMANCE DATA:	
No Load Losses @100% Average - For Information Only (@ 20 C)	214. Watts
Load Losses Average (Incl Breaker) - For Information Only (@ 85 C)	1518. Watts
Impedance	2.57% (For Reference Only)
Fluid Weight	489. lbs
Total Weight	1552. lbs
Fluid Volume	64. Gal
Tank Diameter	25.00 inches
Overall Height	54.12 inches
Overall Width	39.95 inches
Overall Depth	37.03 inches
Outside Tank Height	42.00 inches
Cover Tank Height	46.76 inches
Primary Conductor Material	Copper
Secondary Conductor Material	Aluminum



Eaton Power Systems Division  
 1319 Lincoln Ave  
 Waukesha, WI 53186 US

Item Number: 7.0

Catalog #: EE1A14072Y3JR00

**Item Details**

**Customer Part Number: E04050025**

**Customer RFQ Information:** Spec: Single Phase Pole Mounted Transformers 7200/12470Y -- dated: 2020-01-15

**Drawing:** OKQ2R7PP

Price Each	Quantity	Extended Price
	1	

Lead-time (Per Lead-time definition in Proposal Specifics):  
 Approval Drawing Lead-time: 3 weeks upon receipt of order  
 Manufacturing Lead-time: 12 weeks after release of order by customer

kVA	25 kVA 1-Phase Pole-mount Transformer
Configuration	Standard Design
Mounting Provisions	Hanger Brackets (One Set)
Temperature Rise	65 degree average winding rise
Cooling Class	KNAN
Insulating fluid	Envirotemp FR3
Efficiency Standard	DOE 2016
High Voltage	7200/12470Y
High Voltage kV Class	15 kV Class
High Voltage BIL	95 kV BIL
Taps	No Taps
Primary Bushings	15 kV Cover Mount (Qty: 2)
Primary Arrester	Evolution, Heavy-duty/Riser Pole, Polymer 9 kV (Qty: 1)
Overcurrent Protection	None
Low Voltage	240/480
Low Voltage kV Class	1.2 kV Class
Low Voltage BIL	30 kV BIL
Secondary Bushings	13/16 Eyebolt with 3/8-16 stud (porcelain) (Qty:3)
Coatings	ANSI 70 Sky Gray - Munsell 5.0BG 7.0/0.4
Tank Construction	Mild Steel
Decal / Stencil Options	Sequential Number Decal/Stencil
Gauges & Fittings	PRD, 50 SCFM
Packaging	Standard Pallet
----- Additional Features -----	
1 - 5 kV Leads	5 kV Leads
2 - Transformer Card (Exhibit A)	Transformer Card (Exhibit A)

**Proposal Number: B251434419P**

**Revision: 2**

Page: 23/115



Eaton Power Systems Division  
 1319 Lincoln Ave  
 Waukesha, WI 53186 US

Item Number: 7.0

Catalog #: EE1A14072Y3JR00

**Item Details**

<b>PERFORMANCE DATA:</b>	
No Load Losses @100% Average - For Information Only (@ 20 C)	64. Watts
Load Losses Average (Incl Breaker) - For Information Only (@ 85 C)	257. Watts
Impedance	1.57% (For Reference Only)
Fluid Weight	90. lbs
Total Weight	363. lbs
Fluid Volume	11.7 Gal
Tank Diameter	14.88 inches
Overall Height	37.7 inches
Overall Width	23.9 inches
Overall Depth	22.2 inches
Outside Tank Height	28.32 inches
Cover Tank Height	30.12 inches
Primary Conductor Material	Aluminum
Secondary Conductor Material	Aluminum



Eaton Power Systems Division  
 1319 Lincoln Ave  
 Waukesha, WI 53186 US

Item Number: 8.0

Catalog #: EE1A14072Y5JR00

**Item Details**

**Customer Part Number: E04050050**

**Customer RFQ Information:** Spec: RFP # ELE/250274 -- dated: 2025-02-10 | Ocala ELE 250274 Exhibit A- Price Proposal with Total Losses -- dated: 2025-02-10

**Catalog #:** \*\*EE1A14072Y5JR00\*\*

**Drawing:** M064ML7L

Price Each	Quantity	Extended Price
	1	

Lead-time (Per Lead-time definition in Proposal Specifics):  
 Approval Drawing Lead-time: 3 weeks upon receipt of order  
 Manufacturing Lead-time: 12 weeks after release of order by customer

kVA	50 kVA 1-Phase Pole-mount Transformer
Configuration	Standard Design
Mounting Provisions	Hanger Brackets (One Set)
Temperature Rise	65 degree average winding rise
Cooling Class	KNAN
Insulating fluid	Envirotemp FR3
Efficiency Standard	DOE 2016
High Voltage	7200/12470Y
High Voltage kV Class	15 kV Class
High Voltage BIL	95 kV BIL
Taps	No Taps
Primary Bushings	15 kV Cover Mount (Qty: 2)
Primary Arrester	Evolution, Heavy-duty/Riser Pole, Polymer 9 kV (Qty: 1)
Overcurrent Protection	None
Low Voltage	240/480
Low Voltage kV Class	1.2 kV Class
Low Voltage BIL	30 kV BIL
Secondary Bushings	13/16 Eyebolt with 3/8-16 stud (polymer) (Qty:3)
Coatings	ANSI 70 Sky Gray - Munsell 5.0BG 7.0/0.4
Tank Construction	Mild Steel
Decal / Stencil Options	Sequential Number Decal/Stencil
Gauges & Fittings	PRD, 50 SCFM
Packaging	Standard Pallet
----- Additional Features -----	
1 - 5 kV Leads	5 kV Leads

**Proposal Number: B251434419P**

**Revision: 2**

Page: 25/115



Eaton Power Systems Division  
 1319 Lincoln Ave  
 Waukesha, WI 53186 US

Item Number: 8.0

Catalog #: EE1A14072Y5JR00

**Item Details**

2 - Transformer Card (Exhibit A)

Transformer Card (Exhibit B)

<b>PERFORMANCE DATA:</b>	
No Load Losses @100% Average - For Information Only (@ 20 C)	102. Watts
Load Losses Average (Incl Breaker) - For Information Only (@ 85 C)	502. Watts
Impedance	1.97% (For Reference Only)
Fluid Weight	114. lbs
Total Weight	508. lbs
Fluid Volume	14.9 Gal
Tank Diameter	17.25 inches
Overall Height	37.9 inches
Overall Width	26.1 inches
Overall Depth	24.6 inches
Outside Tank Height	28.30 inches
Cover Tank Height	30.34 inches
Primary Conductor Material	Aluminum
Secondary Conductor Material	Aluminum



Eaton Power Systems Division  
 1319 Lincoln Ave  
 Waukesha, WI 53186 US

Item Number: 9.0

Catalog #: EB2A14072Y6JR0P

**Item Details**

**Customer Part Number: E04050075**

**Customer RFQ Information:** Spec: Single Phase Pole Mounted Transformers 7200/12470Y -- dated: 2020-01-15

**Drawing:** OKQ2R7Q6

Price Each	Quantity	Extended Price
	1	

Lead-time (Per Lead-time definition in Proposal Specifics):  
 Approval Drawing Lead-time: 3 weeks upon receipt of order  
 Manufacturing Lead-time: 12 weeks after release of order by customer

kVA	75 kVA 1-Phase Pole-mount Transformer
Configuration	Standard Design
Mounting Provisions	Hanger Brackets (One Set)
Temperature Rise	65 degree average winding rise
Cooling Class	KNAN
Insulating fluid	Envirotemp FR3
Efficiency Standard	DOE 2016
High Voltage	7200/12470Y
High Voltage kV Class	15 kV Class
High Voltage BIL	95 kV BIL
Taps	No Taps
Primary Bushings	15 kV Cover Mount (Qty: 2)
Primary Arrester	Evolution, Heavy-duty/Riser Pole, Polymer 9 kV (Qty: 1)
Overcurrent Protection	None
Low Voltage	240/480
Low Voltage kV Class	1.2 kV Class
Low Voltage BIL	30 kV BIL
Secondary Bushings	15/16 Eyebolt with 3/4-10 stud (polymer) (Qty:3)
Coatings	ANSI 70 Sky Gray - Munsell 5.0BG 7.0/0.4
Tank Construction	Mild Steel
Decal / Stencil Options	Sequential Number Decal/Stencil
Gauges & Fittings	PRD, 50 SCFM
Packaging	Standard Pallet
----- Additional Features -----	
3 - Accessory	5 kV Leads
4 - Accessory	Transformer Card (Exhibit A)

# EXHIBIT D - VENDOR'S PROPOSAL



Eaton Power Systems Division  
1319 Lincoln Ave  
Waukesha, WI 53186 US

Item Number: 9.0

Catalog #: EB2A14072Y6JR0P

## Item Details

PERFORMANCE DATA:	
No Load Losses @100% Average - For Information Only (@ 20 C)	150. Watts
Load Losses Average (Incl Breaker) - For Information Only (@ 85 C)	604. Watts
Impedance	2.28% (For Reference Only)
Fluid Weight	194. lbs
Total Weight	762. lbs
Fluid Volume	25.2 Gal
Tank Diameter	20.00 inches
Overall Height	43.7 inches
Overall Width	28.7 inches
Overall Depth	28.4 inches
Outside Tank Height	33.94 inches
Cover Tank Height	36.30 inches
Primary Conductor Material	Aluminum
Secondary Conductor Material	Aluminum



Eaton Power Systems Division  
 1319 Lincoln Ave  
 Waukesha, WI 53186 US

Item Number: 10.0

Catalog #: EE1A44072Y8JR00

**Item Details**

**Customer Part Number: E04050167**

**Customer RFQ Information:** Spec: RFP # ELE/250274 -- dated: 2025-02-10 | Ocala ELE 250274 Exhibit A- Price Proposal with Total Losses -- dated: 2025-02-10

**Catalog #:** \*\*EE1A44072Y8JR00 \*\*

**Drawing:** M064ML7T

Price Each	Quantity	Extended Price
	1	

Lead-time (Per Lead-time definition in Proposal Specifics):  
 Approval Drawing Lead-time: 3 weeks upon receipt of order  
 Manufacturing Lead-time: 30 weeks after release of order by customer

kVA	167 kVA 1-Phase Pole-mount Transformer
Configuration	Standard Design
Mounting Provisions	Hanger Brackets (One Set)
Temperature Rise	65 degree average winding rise
Cooling Class	KNAN
Insulating fluid	Envirotemp FR3
Efficiency Standard	DOE 2016
High Voltage	7200/12470Y
High Voltage kV Class	15 kV Class
High Voltage BIL	95 kV BIL
Taps	2 - 2.5% taps above and 2 - 2.5% taps below nominal
Tap Changer	5-position tap changer
Primary Bushings	15 kV Cover Mount (Qty: 2)
Primary Arrester	Evolution, Heavy-duty/Riser Pole, Polymer 9 kV (Qty: 1)
Overcurrent Protection	None
Low Voltage	240/480
Low Voltage kV Class	1.2 kV Class
Low Voltage BIL	30 kV BIL
Secondary Bushings	H Spade with 1-14 stud (polymer, 4-hole) (Qty:4)
Coatings	ANSI 70 Sky Gray - Munsell 5.0BG 7.0/0.4
Tank Construction	Mild Steel
Decal / Stencil Options	Sequential Number Decal/Stencil
Gauges & Fittings	PRD, 50 SCFM
Packaging	Standard Pallet

----- Additional Features -----

**Proposal Number: B251434419P**

**Revision: 2**

Page: 29/115



Eaton Power Systems Division  
 1319 Lincoln Ave  
 Waukesha, WI 53186 US

Item Number: 10.0

Catalog #: EE1A44072Y8JR00

**Item Details**

1 - 5 kV Leads

5 kV Leads

2 - Transformer Card (Exhibit A)

Transformer Card (Exhibit B)

<b>PERFORMANCE DATA:</b>	
No Load Losses @100% Average - For Information Only (@ 20 C)	235. Watts
Load Losses Average (Incl Breaker) - For Information Only (@ 85 C)	1411. Watts
Impedance	2.10% (For Reference Only)
Fluid Weight	481. lbs
Total Weight	1483. lbs
Fluid Volume	63. Gal
Tank Diameter	25.00 inches
Overall Height	54.12 inches
Overall Width	39.95 inches
Overall Depth	35.64 inches
Outside Tank Height	42.00 inches
Cover Tank Height	46.76 inches
Primary Conductor Material	Aluminum
Secondary Conductor Material	Aluminum



Eaton Power Systems Division  
 1319 Lincoln Ave  
 Waukesha, WI 53186 US

Item Number: 11.0

Catalog #: EB2A16072Y3JR26

**Item Details**

**Customer Part Number: E04060025**

**Customer RFQ Information:** Spec: Single Phase Pole Mounted Transformers 7200/12470Y -- dated: 2020-01-15

**Drawing:** OKQ2R7QN

Price Each	Quantity	Extended Price
	1	

Lead-time (Per Lead-time definition in Proposal Specifics):  
 Approval Drawing Lead-time: 3 weeks upon receipt of order  
 Manufacturing Lead-time: 12 weeks after release of order by customer

kVA	25 kVA 1-Phase Pole-mount Transformer
Configuration	Standard Design
Mounting Provisions	Hanger Brackets (One Set)
Temperature Rise	65 degree average winding rise
Cooling Class	KNAN
Insulating fluid	Envirotemp FR3
Efficiency Standard	DOE 2016
High Voltage	7200/12470Y
High Voltage kV Class	15 kV Class
High Voltage BIL	95 kV BIL
Taps	No Taps
Primary Bushings	15 kV Cover Mount (Qty: 2)
Primary Arrester	Evolution, Heavy-duty/Riser Pole, Polymer 9 kV (Qty: 1)
Overcurrent Protection	None
Low Voltage	277
Low Voltage kV Class	1.2 kV Class
Low Voltage BIL	30 kV BIL
Secondary Bushings	13/16 Eyebolt with 3/8-16 stud (polymer) (Qty:2)
Coatings	ANSI 70 Sky Gray - Munsell 5.0BG 7.0/0.4
Tank Construction	Mild Steel
Decal / Stencil Options	Sequential Number Decal/Stencil
Gauges & Fittings	PRD, 50 SCFM
Packaging	Standard Pallet
----- Additional Features -----	
3 - Accessory	5 kV Leads
4 - Accessory	Transformer Card (Exhibit A)



Eaton Power Systems Division  
1319 Lincoln Ave  
Waukesha, WI 53186 US

Item Number: 11.0

Catalog #: EB2A16072Y3JR26

**Item Details**

PERFORMANCE DATA:	
No Load Losses @100% Average - For Information Only (@ 20 C)	67. Watts
Load Losses Average (Incl Breaker) - For Information Only (@ 85 C)	242. Watts
Impedance	1.92% (For Reference Only)
Fluid Weight	103. lbs
Total Weight	379. lbs
Fluid Volume	13.5 Gal
Tank Diameter	16.00 inches
Overall Height	36.8 inches
Overall Width	25.0 inches
Overall Depth	22.9 inches
Outside Tank Height	27.48 inches
Cover Tank Height	29.22 inches
Primary Conductor Material	Aluminum
Secondary Conductor Material	Aluminum



Eaton Power Systems Division  
 1319 Lincoln Ave  
 Waukesha, WI 53186 US

Item Number: 12.0

Catalog #: EE1A16072Y5JR00

**Item Details**

**Customer Part Number: E04060050**

**Customer RFQ Information:** Spec: Single Phase Pole Mounted Transformers 7200/12470Y -- dated: 2020-01-15

**Drawing:** OKQ2R7QW

Price Each	Quantity	Extended Price
	1	

Lead-time (Per Lead-time definition in Proposal Specifics):  
 Approval Drawing Lead-time: 3 weeks upon receipt of order  
 Manufacturing Lead-time: 12 weeks after release of order by customer

kVA	50 kVA 1-Phase Pole-mount Transformer
Configuration	Standard Design
Mounting Provisions	Hanger Brackets (One Set)
Temperature Rise	65 degree average winding rise
Cooling Class	KNAN
Insulating fluid	Envirotemp FR3
Efficiency Standard	DOE 2016
High Voltage	7200/12470Y
High Voltage kV Class	15 kV Class
High Voltage BIL	95 kV BIL
Taps	No Taps
Primary Bushings	15 kV Cover Mount (Qty: 2)
Primary Arrester	Evolution, Heavy-duty/Riser Pole, Polymer 9 kV (Qty: 1)
Overcurrent Protection	None
Low Voltage	277
Low Voltage kV Class	1.2 kV Class
Low Voltage BIL	30 kV BIL
Secondary Bushings	13/16 Eyebolt with 3/8-16 stud (porcelain) (Qty:2)
Coatings	ANSI 70 Sky Gray - Munsell 5.0BG 7.0/0.4
Tank Construction	Mild Steel
Decal / Stencil Options	Sequential Number Decal/Stencil
Gauges & Fittings	PRD, 50 SCFM
Packaging	Standard Pallet
----- Additional Features -----	
1 - 5 kV Leads	5 kV Leads
2 - Transformer Card (Exhibit A)	Transformer Card (Exhibit A)

**Proposal Number: B251434419P**

**Revision: 2**

Page: 33/115



Eaton Power Systems Division  
 1319 Lincoln Ave  
 Waukesha, WI 53186 US

Item Number: 12.0

Catalog #: EE1A16072Y5JR00

**Item Details**

<b>PERFORMANCE DATA:</b>	
No Load Losses @100% Average - For Information Only (@ 20 C)	126. Watts
Load Losses Average (Incl Breaker) - For Information Only (@ 85 C)	391. Watts
Impedance	1.92% (For Reference Only)
Fluid Weight	131. lbs
Total Weight	576. lbs
Fluid Volume	17.1 Gal
Tank Diameter	18.50 inches
Overall Height	37.9 inches
Overall Width	27.3 inches
Overall Depth	25.3 inches
Outside Tank Height	28.45 inches
Cover Tank Height	30.44 inches
Primary Conductor Material	Aluminum
Secondary Conductor Material	Aluminum



Eaton Power Systems Division  
 1319 Lincoln Ave  
 Waukesha, WI 53186 US

Item Number: 13.0

Catalog #: EE1A16072Y6JR00

**Item Details**

**Customer Part Number: E04060075**

**Customer RFQ Information:** Spec: RFP # ELE/250274 -- dated: 2025-02-10 | Ocala ELE 250274 Exhibit A- Price Proposal with Total Losses -- dated: 2025-02-10

**Catalog #:** \*\*EE1A16072Y6JR00\*\*

**Drawing:** M064ML81

Price Each	Quantity	Extended Price
	1	

Lead-time (Per Lead-time definition in Proposal Specifics):  
 Approval Drawing Lead-time: 3 weeks upon receipt of order  
 Manufacturing Lead-time: 12 weeks after release of order by customer

kVA	75 kVA 1-Phase Pole-mount Transformer
Configuration	Standard Design
Mounting Provisions	Hanger Brackets (One Set)
Temperature Rise	65 degree average winding rise
Cooling Class	KNAN
Insulating fluid	Envirotemp FR3
Efficiency Standard	DOE 2016
High Voltage	7200/12470Y
High Voltage kV Class	15 kV Class
High Voltage BIL	95 kV BIL
Taps	No Taps
Primary Bushings	15 kV Cover Mount (Qty: 2)
Primary Arrester	Evolution, Heavy-duty/Riser Pole, Polymer 9 kV (Qty: 1)
Overcurrent Protection	None
Low Voltage	277
Low Voltage kV Class	1.2 kV Class
Low Voltage BIL	30 kV BIL
Secondary Bushings	13/16 Eyebolt with 1/2-13 stud (polymer) (Qty:2)
Coatings	ANSI 70 Sky Gray - Munsell 5.0BG 7.0/0.4
Tank Construction	Mild Steel
Decal / Stencil Options	Sequential Number Decal/Stencil
Gauges & Fittings	PRD, 50 SCFM
Packaging	Standard Pallet
----- Additional Features -----	
1 - 5 kV Leads	5 kV Leads

**Proposal Number: B251434419P**

**Revision: 2**

Page: 35/115



Eaton Power Systems Division  
 1319 Lincoln Ave  
 Waukesha, WI 53186 US

Item Number: 13.0

Catalog #: EE1A16072Y6JR00

**Item Details**

2 - Transformer Card (Exhibit A)

Transformer Card (Exhibit B)

<b>PERFORMANCE DATA:</b>	
No Load Losses @100% Average - For Information Only (@ 20 C)	135. Watts
Load Losses Average (Incl Breaker) - For Information Only (@ 85 C)	709. Watts
Impedance	2.29% (For Reference Only)
Fluid Weight	210. lbs
Total Weight	746. lbs
Fluid Volume	27.3 Gal
Tank Diameter	18.50 inches
Overall Height	49.0 inches
Overall Width	27.3 inches
Overall Depth	25.6 inches
Outside Tank Height	39.30 inches
Cover Tank Height	41.44 inches
Primary Conductor Material	Aluminum
Secondary Conductor Material	Aluminum



Eaton Power Systems Division  
 1319 Lincoln Ave  
 Waukesha, WI 53186 US

Item Number: 14.0

Catalog #: EE1A16072Y7JR00

**Item Details**

**Customer Part Number: E04060100**

**Customer RFQ Information:** Spec: Single Phase Pole Mounted Transformers 7200/12470Y -- dated: 2020-01-15

**Drawing:** F06C8KQ3

Price Each	Quantity	Extended Price
	1	

Lead-time (Per Lead-time definition in Proposal Specifics):  
 Approval Drawing Lead-time: 3 weeks upon receipt of order  
 Manufacturing Lead-time: 30 weeks after release of order by customer

kVA	100 kVA 1-Phase Pole-mount Transformer
Configuration	Standard Design
Mounting Provisions	Hanger Brackets (One Set)
Temperature Rise	65 degree average winding rise
Cooling Class	KNAN
Insulating fluid	Envirotemp FR3
Efficiency Standard	DOE 2016
High Voltage	7200/12470Y
High Voltage kV Class	15 kV Class
High Voltage BIL	95 kV BIL
Taps	No Taps
Primary Bushings	15 kV Cover Mount (Qty: 2)
Primary Arrester	Evolution, Heavy-duty/Riser Pole, Polymer 9 kV (Qty: 1)
Overcurrent Protection	None
Low Voltage	277
Low Voltage kV Class	1.2 kV Class
Low Voltage BIL	30 kV BIL
Secondary Bushings	1¼ Double Eyebolt with 1-14 stud (polymer) (Qty:2)
Coatings	ANSI 70 Sky Gray - Munsell 5.0BG 7.0/0.4
Tank Construction	Mild Steel
Decal / Stencil Options	Sequential Number Decal/Stencil
Gauges & Fittings	PRD, 50 SCFM
Packaging	Standard Pallet
----- Additional Features -----	
1 - 5 kV Leads	5 kV Leads
2 - Transformer Card (Exhibit A)	Transformer Card (Exhibit A)

**Proposal Number: B251434419P**

**Revision: 2**

Page: 37/115



Eaton Power Systems Division  
1319 Lincoln Ave  
Waukesha, WI 53186 US

Item Number: 14.0

Catalog #: EE1A16072Y7JR00

**Item Details**

PERFORMANCE DATA:	
No Load Losses @100% Average - For Information Only (@ 20 C)	218. Watts
Load Losses Average (Incl Breaker) - For Information Only (@ 85 C)	681. Watts
Impedance	1.66% (For Reference Only)
Fluid Weight	308. lbs
Total Weight	1055. lbs
Fluid Volume	40. Gal
Tank Diameter	22.00 inches
Overall Height	47.84 inches
Overall Width	30.62 inches
Overall Depth	32.92 inches
Outside Tank Height	36.00 inches
Cover Tank Height	40.31 inches
Primary Conductor Material	Aluminum
Secondary Conductor Material	Aluminum



Eaton Power Systems Division  
 1319 Lincoln Ave  
 Waukesha, WI 53186 US

Item Number: 15.0

Catalog #: EE1A46072Y8JR00

**Item Details**

**Customer Part Number: E04060167**

**Customer RFQ Information:** Spec: RFP # ELE/250274 -- dated: 2025-02-10 | Ocala ELE 250274 Exhibit A- Price Proposal with Total Losses -- dated: 2025-02-10

**Catalog #:** \*\*EE1A46072Y8JR00 \*\*

**Drawing:** M064ML88

Price Each	Quantity	Extended Price
	1	

Lead-time (Per Lead-time definition in Proposal Specifics):  
 Approval Drawing Lead-time: 3 weeks upon receipt of order  
 Manufacturing Lead-time: 30 weeks after release of order by customer

kVA	167 kVA 1-Phase Pole-mount Transformer
Configuration	Standard Design
Mounting Provisions	Hanger Brackets (One Set)
Temperature Rise	65 degree average winding rise
Cooling Class	KNAN
Insulating fluid	Envirotemp FR3
Efficiency Standard	DOE 2016
High Voltage	7200/12470Y
High Voltage kV Class	15 kV Class
High Voltage BIL	95 kV BIL
Taps	2 - 2.5% taps above and 2 - 2.5% taps below nominal
Tap Changer	5-position tap changer
Primary Bushings	15 kV Cover Mount (Qty: 2)
Primary Arrester	Evolution, Heavy-duty/Riser Pole, Polymer 9 kV (Qty: 1)
Overcurrent Protection	None
Low Voltage	277
Low Voltage kV Class	1.2 kV Class
Low Voltage BIL	30 kV BIL
Secondary Bushings	H Spade with 3/4-10 stud (polymer, 4-hole) (Qty:2)
Coatings	ANSI 70 Sky Gray - Munsell 5.0BG 7.0/0.4
Tank Construction	Mild Steel
Decal / Stencil Options	Sequential Number Decal/Stencil
Gauges & Fittings	PRD, 50 SCFM
Packaging	Standard Pallet

----- Additional Features -----

**Proposal Number: B251434419P**

**Revision: 2**

Page: 39/115

# EXHIBIT D - VENDOR'S PROPOSAL



Eaton Power Systems Division  
1319 Lincoln Ave  
Waukesha, WI 53186 US

Item Number: 15.0

Catalog #: EE1A46072Y8JR00

## Item Details

1 - 5 kV Leads

5 kV Leads

2 - Transformer Card (Exhibit A)

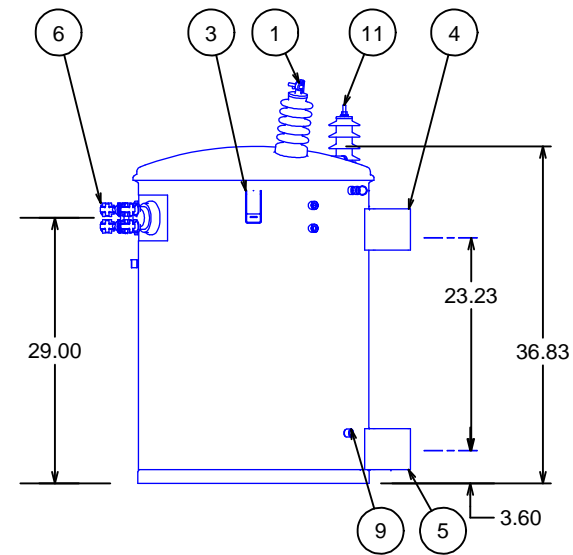
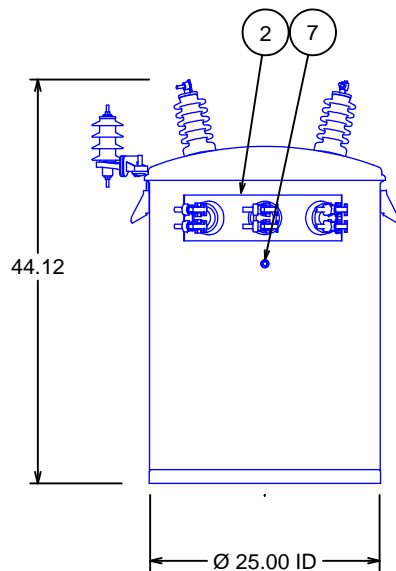
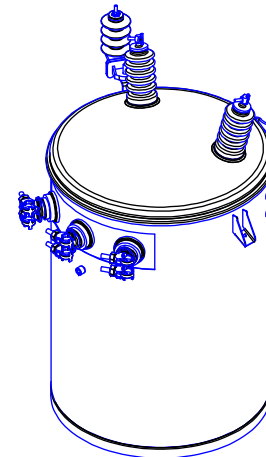
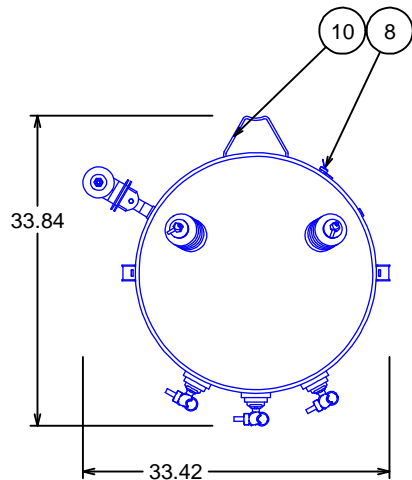
Transformer Card (Exhibit A)

PERFORMANCE DATA:	
No Load Losses @100% Average - For Information Only (@ 20 C)	281. Watts
Load Losses Average (Incl Breaker) - For Information Only (@ 85 C)	1230. Watts
Impedance	2.26% (For Reference Only)
Fluid Weight	495. lbs
Total Weight	1509. lbs
Fluid Volume	64. Gal
Tank Diameter	25.00 inches
Overall Height	56.12 inches
Overall Width	39.95 inches
Overall Depth	36.05 inches
Outside Tank Height	44.00 inches
Cover Tank Height	48.76 inches
Primary Conductor Material	Aluminum
Secondary Conductor Material	Aluminum

**EXHIBIT D - VENDOR'S PROPOSAL**

M064ML76  
REVISIONS

ITEM	DESCRIPTION
1	H.V. BUSHING - 15 KV
2	BUSHING PLATE
3	LIFTING LUG
4	UPPER SUPPORT LUG - TYPE B - PER ANSI STANDARD
5	LOWER SUPPORT LUG - TYPE B - PER ANSI STANDARD
6	L.V. BUSHING - 1.2 KV - DUAL EYEBOLT TERMINAL PER ANSI STANDARD
7	L.V. GROUND PROVISION
8	PRESSURE RELIEF VALVE
9	TANK GROUND BOSS
10	RATING PLATE ON LOWER SUPPORT LUG
11	HV ARRESTER



**See quote document for:**  
accessories included but not shown

1PH Pole Mount Transformer 60Hz  
100.0 kVA KNAN 65 AWR FR3  
HV 7200/12470Y 95kV BIL  
LV 120/240 30kV BIL  
NO TAPS  
Approximate Weight 1166.6 LBS

**Proposal Number: B251434419P**  
**Revision: 2**  
Page: 89/115

**Internal Tank Dimensions:**  
25.00 ID x 32.00 Height

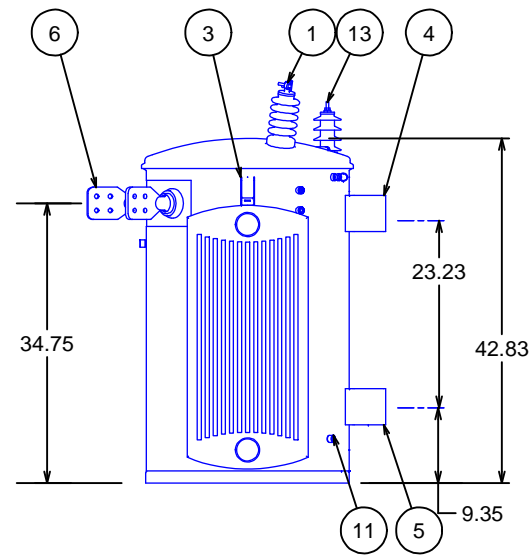
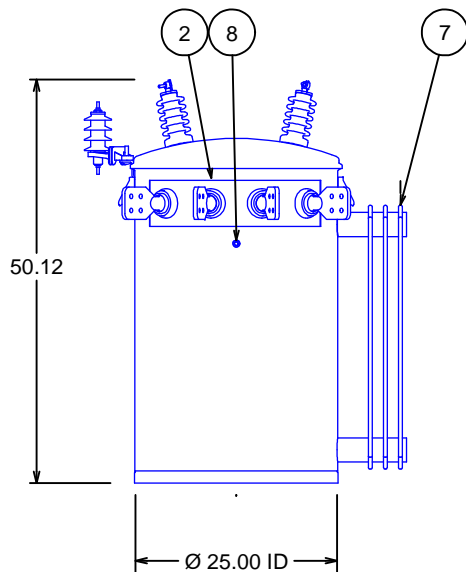
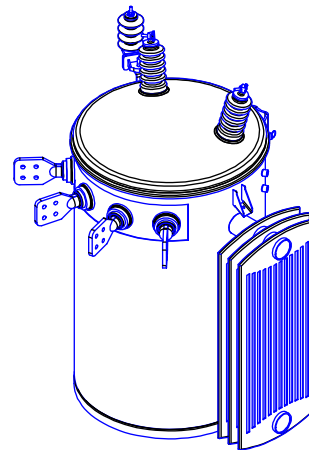
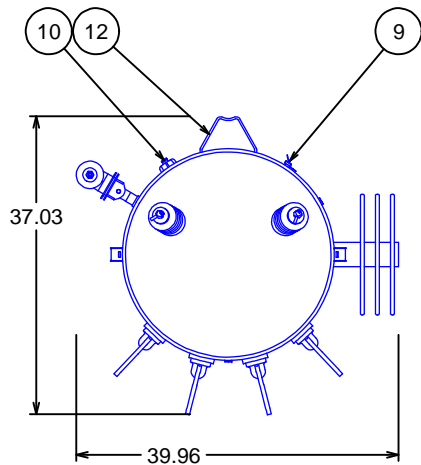
**Dimensions provided are approximate and subject to change.**

MATERIAL: Mild Steel Construction					
ALL DIMENSIONS ARE IN INCHES [MM]					
THE INFORMATION ON THIS DOCUMENT WAS CREATED BY EATON. IT WAS DISCLOSED IN CONFIDENCE AND IS ONLY TO BE USED FOR THE PURPOSE IN WHICH IT WAS SUPPLIED.		TITLE: Outline Drawing			
THIS DRAWING HAS BEEN GENERATED FROM A 3D MODEL.		DESC: <b>COOPER POWER SERIES</b> SINGLE-PHASE POLE-MOUNTED TRANSFORMER			
DWG: PTP	DATE: 2/26/2025	REF:	SHEET #: 1 OF 1	SCALE:	REV: 00
<b>M064ML76</b>					

**EXHIBIT D - VENDOR'S PROPOSAL**

M064ML7E  
REVISIONS

ITEM	DESCRIPTION
1	H.V. BUSHING - 15 KV
2	BUSHING PLATE
3	LIFTING LUG
4	UPPER SUPPORT LUG - TYPE B - PER ANSI STANDARD
5	LOWER SUPPORT LUG - TYPE B - PER ANSI STANDARD
6	L.V. BUSHING - 1.2 KV - 4 HOLE H SPADE TERMINAL PER ANSI STANDARD
7	RADIATOR
8	L.V. GROUND PROVISION
9	PRESSURE RELIEF VALVE
10	TAP CHANGER - CAP WRENCH HANDLE
11	TANK GROUND BOSS
12	RATING PLATE ON LOWER SUPPORT LUG
13	HV ARRESTER



See quote document for:  
accessories included but not  
shown

1PH Pole Mount Transformer 60Hz  
167.0 kVA KNAN 65 AWR FR3  
HV 7200/12470Y 95kV BIL  
LV 120/240 30kV BIL  
TAPS 105.0/102.5/100.0/97.5/95.0 (%)  
Approximate Weight 1525.8 LBS

Proposal Number: B251434419P  
Revision: 2  
Page: 90/115

**Internal Tank Dimensions:**  
25.00 ID x 38.00 Height

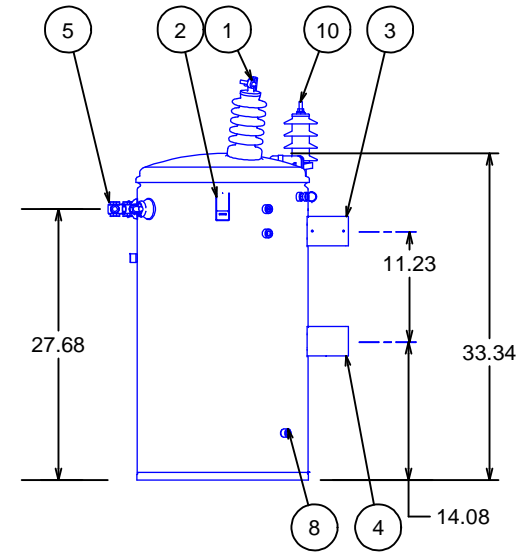
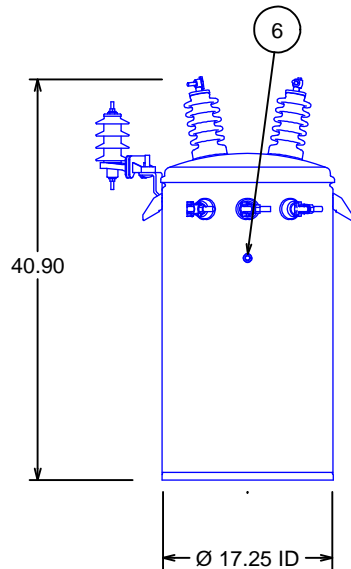
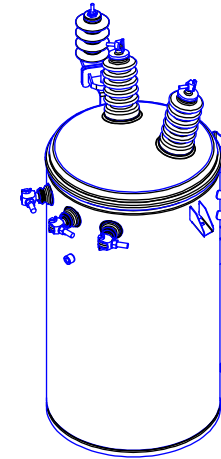
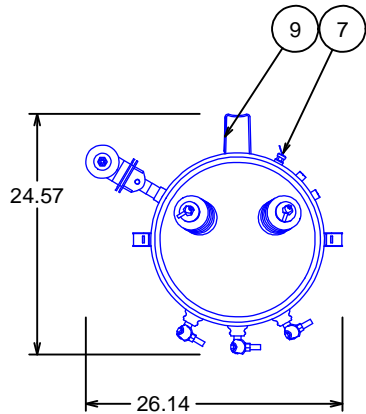
**Dimensions provided are approximate  
and subject to change.**

MATERIAL: Mild Steel Construction		<b>EATON</b> Powering Business Worldwide			
ALL DIMENSIONS ARE IN INCHES [MM]		TITLE: Outline Drawing			
THE INFORMATION ON THIS DOCUMENT WAS CREATED BY EATON. IT WAS DISCLOSED IN CONFIDENCE AND IS ONLY TO BE USED FOR THE PURPOSE IN WHICH IT WAS SUPPLIED.		DESC: <b>COOPER POWER SERIES</b> SINGLE-PHASE POLE-MOUNTED TRANSFORMER			
DWG: PTP	DATE: 2/26/2025	REF:	SHEET #: 1 OF 1	SCALE:	REV: 00
<b>M064ML7E</b>					

EXHIBIT D - VENDOR'S PROPOSAL

M064ML7L  
REVISIONS

ITEM	DESCRIPTION
1	H.V. BUSHING - 15 KV
2	LIFTING LUG
3	UPPER SUPPORT LUG - TYPE A - PER ANSI STANDARD
4	LOWER SUPPORT LUG - TYPE A - PER ANSI STANDARD
5	L.V. BUSHING - 1.2 KV - EYEBOLT TERMINAL PER ANSI STANDARD
6	L.V. GROUND PROVISION
7	PRESSURE RELIEF VALVE
8	TANK GROUND BOSS
9	RATING PLATE ON LOWER SUPPORT LUG
10	HV ARRESTER



See quote document for:  
accessories included but not  
shown

1PH Pole Mount Transformer 60Hz  
50.0 kVA KNAN 65 AWR FR3  
HV 7200/12470Y 95kV BIL  
LV 240/480 30kV BIL  
NO TAPS  
Approximate Weight 545.7 LBS

Proposal Number: B251434419P  
Revision: 2  
Page: 91/115

**Internal Tank Dimensions:**  
17.25 ID x 30.00 Height

**Dimensions provided are approximate  
and subject to change.**


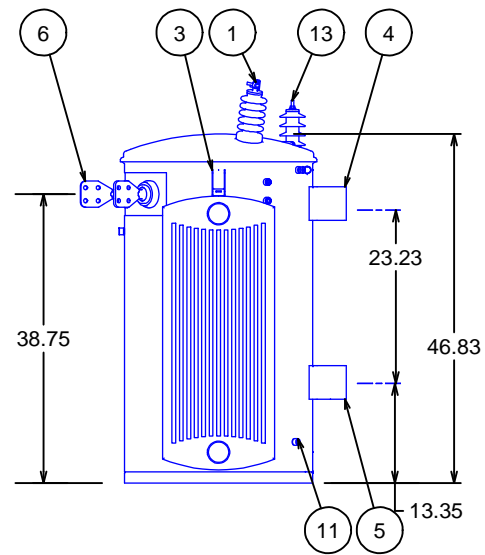
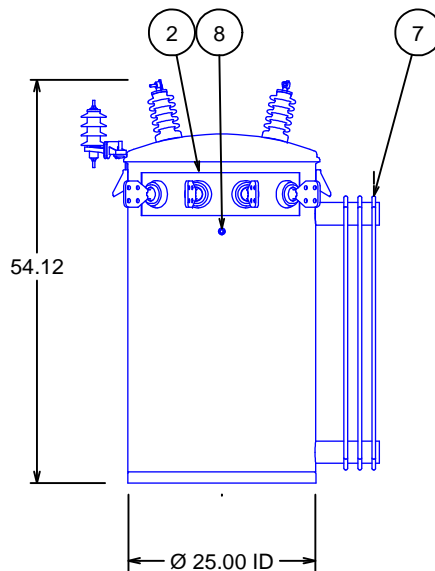
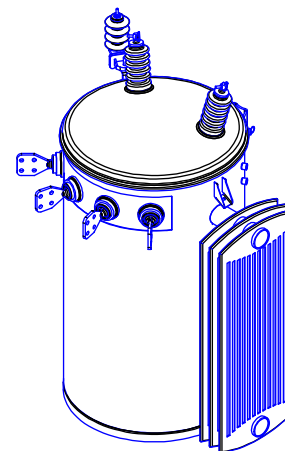
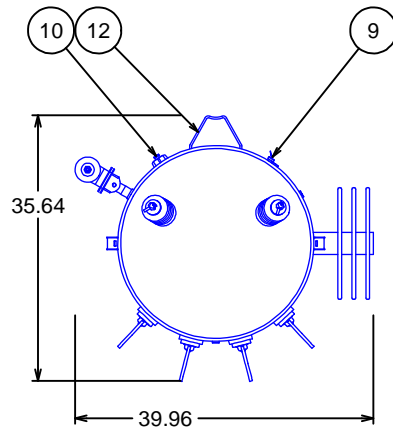
MATERIAL: Mild Steel Construction		 <b>Powering Business Worldwide</b>			
ALL DIMENSIONS ARE IN INCHES [MM]					
THE INFORMATION ON THIS DOCUMENT WAS CREATED BY EATON. IT WAS DISCLOSED IN CONFIDENCE AND IS ONLY TO BE USED FOR THE PURPOSE IN WHICH IT WAS SUPPLIED.		TITLE: Outline Drawing			
THIS DRAWING HAS BEEN GENERATED FROM A 3D MODEL.		DESC: <b>COOPER POWER SERIES</b> SINGLE-PHASE POLE-MOUNTED TRANSFORMER			
DWG: PTP	DATE: 2/26/2025	REF:	SHEET #: 1 OF 1	SCALE:	REV: 00
<b>M064ML7L</b>					

EXHIBIT D - VENDOR'S PROPOSAL

M064ML7T

REVISIONS

ITEM	DESCRIPTION
1	H.V. BUSHING - 15 KV
2	BUSHING PLATE
3	LIFTING LUG
4	UPPER SUPPORT LUG - TYPE B - PER ANSI STANDARD
5	LOWER SUPPORT LUG - TYPE B - PER ANSI STANDARD
6	L.V. BUSHING - 1.2 KV - 4 HOLE H SPADE TERMINAL PER ANSI STANDARD
7	RADIATOR
8	L.V. GROUND PROVISION
9	PRESSURE RELIEF VALVE
10	TAP CHANGER - CAP WRENCH HANDLE
11	TANK GROUND BOSS
12	RATING PLATE ON LOWER SUPPORT LUG
13	HV ARRESTER



See quote document for:  
accessories included but not  
shown

1PH Pole Mount Transformer 60Hz  
167.0 kVA KNAN 65 AWR FR3  
HV 7200/12470Y 95kV BIL  
LV 240/480 30kV BIL  
TAPS 105.0/102.5/100.0/97.5/95.0 (%)  
Approximate Weight 1487.8 LBS

Proposal Number: B251434419P  
Revision: 2  
Page: 92/115

**Internal Tank Dimensions:**  
25.00 ID x 42.00 Height

**Dimensions provided are approximate  
and subject to change.**


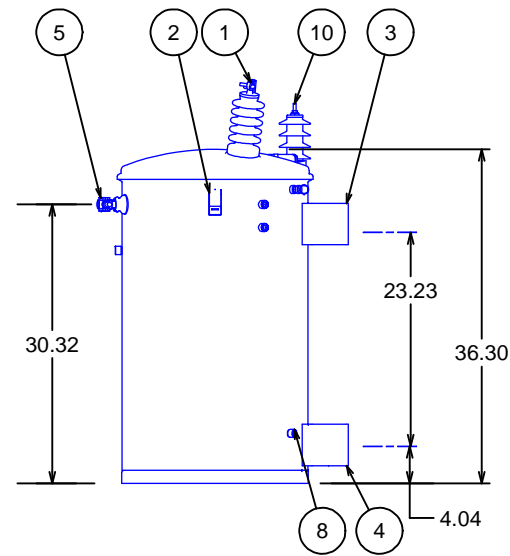
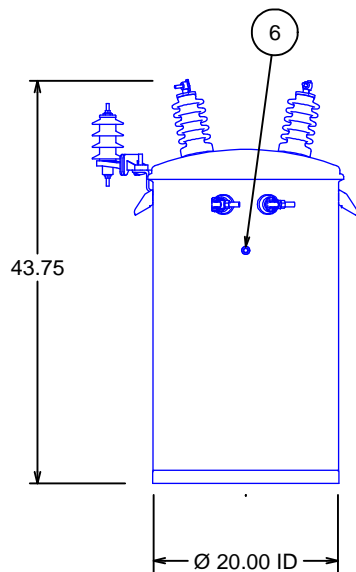
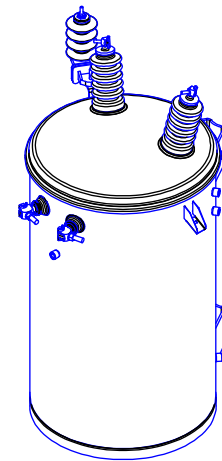
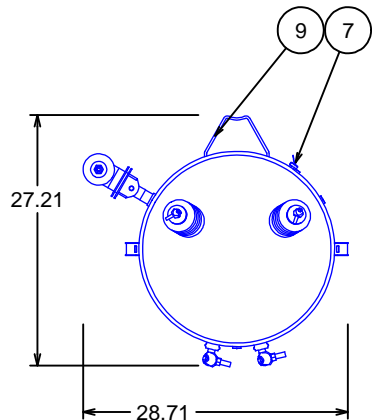
MATERIAL: Mild Steel Construction		 Powering Business Worldwide			
ALL DIMENSIONS ARE IN INCHES [MM]					
THE INFORMATION ON THIS DOCUMENT WAS CREATED BY EATON. IT WAS DISCLOSED IN CONFIDENCE AND IS ONLY TO BE USED FOR THE PURPOSE IN WHICH IT WAS SUPPLIED.		TITLE: Outline Drawing			
THIS DRAWING HAS BEEN GENERATED FROM A 3D MODEL.		DESC: COOPER POWER SERIES SINGLE-PHASE POLE-MOUNTED TRANSFORMER			
DWG: PTP	DATE: 2/26/2025	REF:	SHEET #: 1 OF 1	SCALE:	REV: 00
<b>M064ML7T</b>					

EXHIBIT D - VENDOR'S PROPOSAL

M064ML81  
REVISIONS

ITEM	DESCRIPTION
1	H.V. BUSHING - 15 KV
2	LIFTING LUG
3	UPPER SUPPORT LUG - TYPE B - PER ANSI STANDARD
4	LOWER SUPPORT LUG - TYPE B - PER ANSI STANDARD
5	L.V. BUSHING - 1.2 KV - EYEBOLT TERMINAL PER ANSI STANDARD
6	L.V. GROUND PROVISION
7	PRESSURE RELIEF VALVE
8	TANK GROUND BOSS
9	RATING PLATE ON LOWER SUPPORT LUG
10	HV ARRESTER



See quote document for:  
accessories included but not  
shown

1PH Pole Mount Transformer 60Hz  
75.0 kVA KNAN 65 AWR FR3  
HV 7200/12470Y 95kV BIL  
LV 277 30kV BIL  
NO TAPS  
Approximate Weight 812.5 LBS

Proposal Number: B251434419P  
Revision: 2  
Page: 93/115

**Internal Tank Dimensions:**  
20.00 ID x 32.00 Height

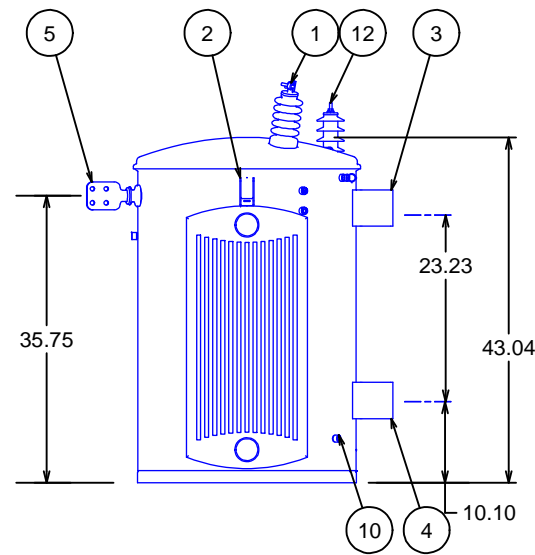
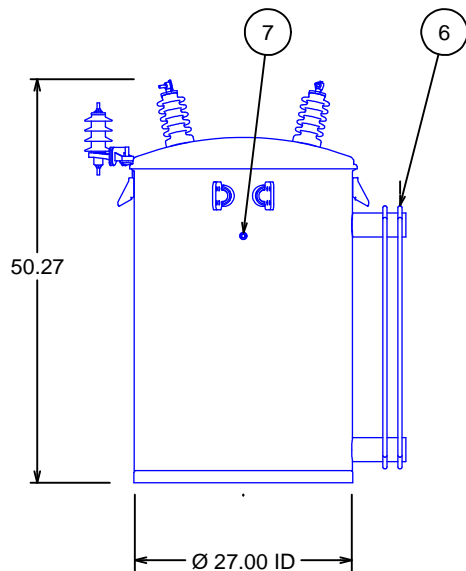
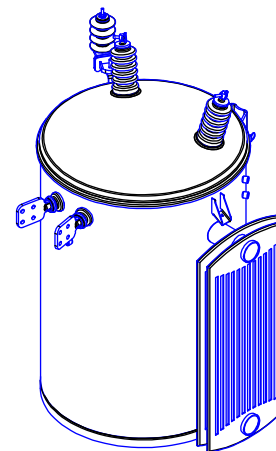
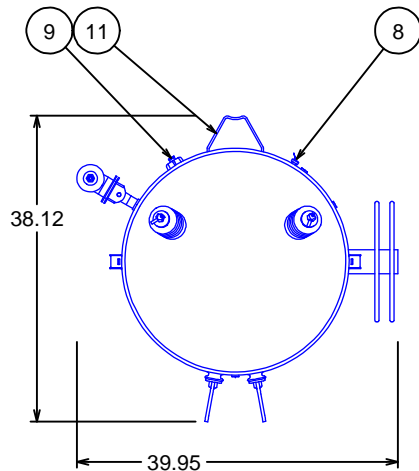
**Dimensions provided are approximate  
and subject to change.**

MATERIAL: Mild Steel Construction					
ALL DIMENSIONS ARE IN INCHES [MM]					
THE INFORMATION ON THIS DOCUMENT WAS CREATED BY EATON. IT WAS DISCLOSED IN CONFIDENCE AND IS ONLY TO BE USED FOR THE PURPOSE IN WHICH IT WAS SUPPLIED.		TITLE: Outline Drawing			
THIS DRAWING HAS BEEN GENERATED FROM A 3D MODEL.		DESC: COOPER POWER SERIES SINGLE-PHASE POLE-MOUNTED TRANSFORMER			
DWG: PTP	DATE: 2/26/2025	REF:	SHEET #: 1 OF 1	SCALE:	REV: 00
<b>M064ML81</b>					

**EXHIBIT D - VENDOR'S PROPOSAL**

M064ML88  
REVISIONS

ITEM	DESCRIPTION
1	H.V. BUSHING - 15 KV
2	LIFTING LUG
3	UPPER SUPPORT LUG - TYPE B - PER ANSI STANDARD
4	LOWER SUPPORT LUG - TYPE B - PER ANSI STANDARD
5	L.V. BUSHING - 1.2 KV - 4 HOLE H SPADE TERMINAL PER ANSI STANDARD
6	RADIATOR
7	L.V. GROUND PROVISION
8	PRESSURE RELIEF VALVE
9	TAP CHANGER - CAP WRENCH HANDLE
10	TANK GROUND BOSS
11	RATING PLATE ON LOWER SUPPORT LUG
12	HV ARRESTER



**See quote document for:**  
accessories included but not shown

1PH Pole Mount Transformer 60Hz  
167.0 kVA KNAN 65 AWR FR3  
HV 7200/12470Y 95kV BIL  
LV 277 30kV BIL  
TAPS 105.0/102.5/100.0/97.5/95.0 (%)  
Approximate Weight 1616.0 LBS

**Proposal Number: B251434419P**  
**Revision: 2**  
Page: 94/115

**Internal Tank Dimensions:**  
27.00 ID x 38.00 Height

**Dimensions provided are approximate and subject to change.**

MATERIAL: Mild Steel Construction					
ALL DIMENSIONS ARE IN INCHES [MM]					
THE INFORMATION ON THIS DOCUMENT WAS CREATED BY EATON. IT WAS DISCLOSED IN CONFIDENCE AND IS ONLY TO BE USED FOR THE PURPOSE IN WHICH IT WAS SUPPLIED.		TITLE: Outline Drawing			
THIS DRAWING HAS BEEN GENERATED FROM A 3D MODEL.		DESC: <b>COOPER POWER SERIES</b> SINGLE-PHASE POLE-MOUNTED TRANSFORMER			
DWG: PTP	DATE: 2/26/2025	REF:	SHEET #: 1 OF 1	SCALE:	REV: 00
<b>M064ML88</b>					

EXHIBIT D - VENDOR'S PROPOSAL

CUSTOMER COPY

QUOTE # 753950-00  
QUOTED DATE 2/24/25

BILL TO:  
GRESKO UTILITY SUPPLY, INC.  
1135 RUMBLE ROAD

SHIP TO:  
CITY OF OCALA - GRESKO  
CENTRAL WAREHOUSE  
2100 NE 30TH AVENUE

ATTN= ACCOUNTS PAYABLE  
FORSYTH GA31029

OCALA FL34470-4800

DESCRIPTION PRODUCT NUMBER QTY UNIT PRICE EXT PRICE

TRANSFORMER LOSS DATA IS BASED ON ANSI C57.12.00:

LOSS GRT: AVE VOLT% : 100

NL TEMP BASIS: 85 LL TEMP BASIS: 85

QUOTED PER OCALA PAD SPECIFICATION RECEIVED WITH  
BID ELE/250274 AND PER THE DESCRIPTION PROVIDED  
WITH THE RFQ

-----  
EXCEPTION TO SECTION 3.3.A.6: ALL UNITS WILL  
RECEIVE ECI FUSING IN LIEU OF COOPER.

-----  
NL=\$7.017 AND LL=\$4.301

ITEM 1  
PADMOUNT DIST. TRANSFORMER PADMOUNT 1  
ITEM# : 1.00  
INTERLACED N TANK DIAM .0 NON-MAG N STEEL TYP SI  
NL= 76 LL= 188 IZ=1.400 TL= 264  
OPTIONS BEGIN.....  
TYP2A LOW PROFILE, ANSI STD. TYPE II  
L LOOP FEED WITH 200 AMP STRAP  
025 25 KVA  
001 12470GRDY/7200 95BIL 1BU  
001G 12470GRDY/7200  
001 NO TAPS  
441 240/120 (3 LVBU ONLY) LHL  
E58 GENERIC DUAL/LOAD (DS) BAYO & ISO  
A00 ECI ISOLATION LINK BY CONFIGURATOR  
003 GENERIC HV BUSH WELL 3-98 OR 3-135  
100 ERMCO STANDARD INSERTS  
000 COPPER STUD SECONDARY BUSHINGS.  
000 NO CONNECTORS REQUIRED  
014 14GA MILD STEEL DOOR  
13 GENERIC 10PSI 50SCFM FOR FR3 FLUID  
HWENG NO PCB ERMCO OPTIONAL NAMEPLATE  
B STANDARD PALLET(CANNOT BE STACKED)  
8 ENVIROTEMP-FR3  
OPTIONS END.....

ITEM 2  
PADMOUNT DIST. TRANSFORMER PADMOUNT 1  
ITEM# : 2.00

EXHIBIT D - VENDOR'S PROPOSAL

CUSTOMER COPY

QUOTE # 753950-00  
QUOTED DATE 2/24/25

BILL TO:  
GRESKO UTILITY SUPPLY, INC.  
1135 RUMBLE ROAD

SHIP TO:  
CITY OF OCALA - GRESKO  
CENTRAL WAREHOUSE  
2100 NE 30TH AVENUE

ATTN= ACCOUNTS PAYABLE  
FORSYTH GA31029

OCALA FL34470-4800

DESCRIPTION	PRODUCT NUMBER	QTY	UNIT PRICE	EXT PRICE
INTERLACED N TANK DIAM .0 NON-MAG N STEEL TYP SI				
NL= 119 LL= 364 IZ=1.500 TL= 483				
OPTIONS BEGIN.....				
TYP2A	LOW PROFILE, ANSI STD. TYPE II			
L	LOOP FEED WITH 200 AMP STRAP			
050	50 KVA			
001	12470GRDY/7200	95BIL 1BU		
001G	12470GRDY/7200			
001	NO TAPS			
441	240/120 (3 LVBU ONLY) LHL			
E58	GENERIC DUAL/LOAD (DS) BAYO & ISO			
A00	ECI ISOLATION LINK BY CONFIGURATOR			
003	GENERIC HV BUSH WELL 3-98 OR 3-135			
100	ERMCO STANDARD INSERTS			
000	COPPER STUD SECONDARY BUSHINGS.			
000	NO CONNECTORS REQUIRED			
014	14GA MILD STEEL DOOR			
13	GENERIC 10PSI 50SCFM FOR FR3 FLUID			
HWENG	NO PCB ERMCO OPTIONAL NAMEPLATE			
B	STANDARD PALLET (CANNOT BE STACKED)			
8	ENVIROTEMP-FR3			
OPTIONS END.....				

ITEM 3  
PADMOUNT DIST. TRANSFORMER PADMOUNT 1  
ITEM# : 3.00

DESCRIPTION	PRODUCT NUMBER	QTY	UNIT PRICE	EXT PRICE
INTERLACED N TANK DIAM .0 NON-MAG N STEEL TYP SI				
NL= 186 LL= 478 IZ=1.900 TL= 664				
OPTIONS BEGIN.....				
TYP2A	LOW PROFILE, ANSI STD. TYPE II			
L	LOOP FEED WITH 200 AMP STRAP			
075	75 KVA			
001	12470GRDY/7200	95BIL 1BU		
001G	12470GRDY/7200			
001	NO TAPS			
441	240/120 (3 LVBU ONLY) LHL			
E58	GENERIC DUAL/LOAD (DS) BAYO & ISO			
A00	ECI ISOLATION LINK BY CONFIGURATOR			
003	GENERIC HV BUSH WELL 3-98 OR 3-135			
100	ERMCO STANDARD INSERTS			
000	COPPER STUD SECONDARY BUSHINGS.			
000	NO CONNECTORS REQUIRED			
014	14GA MILD STEEL DOOR			

EXHIBIT D - VENDOR'S PROPOSAL

CUSTOMER COPY

QUOTE # 753950-00  
QUOTED DATE 2/24/25

BILL TO:  
GRESKO UTILITY SUPPLY, INC.  
1135 RUMBLE ROAD

SHIP TO:  
CITY OF OCALA - GRESKO  
CENTRAL WAREHOUSE  
2100 NE 30TH AVENUE

ATTN= ACCOUNTS PAYABLE  
FORSYTH GA31029

OCALA FL34470-4800

DESCRIPTION	PRODUCT NUMBER	QTY	UNIT PRICE	EXT PRICE
13 HWENG B 8	GENERIC 10PSI 50SCFM FOR FR3 FLUID NO PCB ERMCO OPTIONAL NAMEPLATE STANDARD PALLET (CANNOT BE STACKED) ENVIROTEMP-FR3			
OPTIONS END.....				

ITEM 4  
PADMOUNT DIST. TRANSFORMER PADMOUNT 1  
ITEM# : 4.00

DESCRIPTION	PRODUCT NUMBER	QTY	UNIT PRICE	EXT PRICE
INTERLACED N TANK DIAM .0 NON-MAG N STEEL TYP SI NL= 221 LL= 616 IZ=1.300 TL= 837				
OPTIONS BEGIN.....				
TYP2A LOW PROFILE, ANSI STD. TYPE II				
L LOOP FEED WITH 200 AMP STRAP				
100 100 KVA				
001 12470GRDY/7200 95BIL 1BU				
001G 12470GRDY/7200				
001 NO TAPS				
441 240/120 (3 LVBU ONLY) LHL				
E58 GENERIC DUAL/LOAD (DS) BAYO & ISO				
A00 ECI ISOLATION LINK BY CONFIGURATOR				
003 GENERIC HV BUSH WELL 3-98 OR 3-135				
100 ERMCO STANDARD INSERTS				
000 COPPER STUD SECONDARY BUSHINGS.				
000 NO CONNECTORS REQUIRED				
014 14GA MILD STEEL DOOR				
13 HWENG B 8	GENERIC 10PSI 50SCFM FOR FR3 FLUID NO PCB ERMCO OPTIONAL NAMEPLATE STANDARD PALLET (CANNOT BE STACKED) ENVIROTEMP-FR3			
OPTIONS END.....				

ITEM 5  
PADMOUNT DIST. TRANSFORMER PADMOUNT 1  
ITEM# : 5.00

DESCRIPTION	PRODUCT NUMBER	QTY	UNIT PRICE	EXT PRICE
INTERLACED N TANK DIAM .0 NON-MAG Y STEEL TYP SI NL= 318 LL= 955 IZ=1.600 TL= 1273				
OPTIONS BEGIN.....				
TYP2A LOW PROFILE, ANSI STD. TYPE II				
L LOOP FEED WITH 200 AMP STRAP				
167 167 KVA				

EXHIBIT D - VENDOR'S PROPOSAL

CUSTOMER COPY

QUOTE # 753950-00  
QUOTED DATE 2/24/25

BILL TO:  
GRESKO UTILITY SUPPLY, INC.  
1135 RUMBLE ROAD

SHIP TO:  
CITY OF OCALA - GRESKO  
CENTRAL WAREHOUSE  
2100 NE 30TH AVENUE

ATTN= ACCOUNTS PAYABLE  
FORSYTH GA31029

OCALA FL34470-4800

DESCRIPTION	PRODUCT NUMBER	QTY	UNIT PRICE	EXT PRICE
001	12470GRDY/7200	95BIL 1BU		
001G	12470GRDY/7200			
001	NO TAPS			
441	240/120 (3 LVBU ONLY) LHL			
E58	GENERIC DUAL/LOAD (DS) BAYO & ISO			
A00	ECI ISOLATION LINK BY CONFIGURATOR			
003	GENERIC HV BUSH WELL 3-98 OR 3-135			
100	ERMCO STANDARD INSERTS			
000	COPPER STUD SECONDARY BUSHINGS.			
000	NO CONNECTORS REQUIRED			
014	14GA MILD STEEL DOOR			
13	GENERIC 10PSI 50SCFM FOR FR3 FLUID			
HWENG	NO PCB ERMCO OPTIONAL NAMEPLATE			
B	STANDARD PALLET (CANNOT BE STACKED)			
8	ENVIROTEMP-FR3			
OPTIONS END.....				

100% CTR @ TIME OF SHIPMENT

24 HOUR NOTICE

FLAT BED SIDE UNLOAD

CUSTOMER HAS A REQUIRED DELIVERY DATE

EXHIBIT D - VENDOR'S PROPOSAL

CUSTOMER COPY

QUOTE # 753566-00  
QUOTED DATE 2/18/25

BILL TO:  
GRESKO UTILITY SUPPLY, INC.  
1135 RUMBLE ROAD

SHIP TO:  
CITY OF OCALA - GRESKO  
CENTRAL WAREHOUSE  
2100 NE 30TH AVENUE

ATTN= ACCOUNTS PAYABLE  
FORSYTH GA31029

OCALA FL34470-4800

DESCRIPTION	PRODUCT NUMBER	QTY	UNIT PRICE	EXT PRICE
TRANSFORMER LOSS DATA IS BASED ON ANSI C57.12.00:				
LOSS GRT: AVE VOLT% : 100				
NL TEMP BASIS: 85 LL TEMP BASIS: 85				
FOB OCALA, FL. FREIGHT PREPAID AND ALLOWED.				
*RE-QUOTE OF #564629 WITH STAINLESS STEEL PER RFQ.				
*QUOTED PER GENERAL SPECIFICATIONS FOR THREE PHASE				
PAD MOUNT TRANSFORMERS AND FIGURE 1.				
-PER EMAIL, GRESKO WILL PROVIDE WARNING LABEL AND				
SEQUENTIAL IDENTIFICATION NUMBERS.				
-ERMCO WILL PROVIDE A ROUND HANDHOLE FOR ACCESS				
TO INTERNAL COMPONENTS.				
-ITEM #12 (150 KVA W/480Y/277) DOES NOT REQUIRE				
SPADES PER CHART AND WILL NOT INCLUDE SUPPORTS.				

ITEM 1  
ERMCO 3 PHASE PAD TRANSFORMER 3PH-PAD 1  
ITEM# : 1.00  
YOUR PRODUCT E05040045  
CORE WGT 345.75 STEEL TYP M3 SHIP WGT 3,021.5812  
UNIT WGT 2,972.58 C&C WGT 475.3 CORE WDTN SINGLE  
NL= 126 LL= 423 IZ=2.700 TL= 549

OPTIONS BEGIN.....

ERMCO ERMCO STD 3PH TRANSFORMER  
0045 45 KVA  
G GRDY  
001G 12470GY/7200 95 BIL  
X H0/X0 GROUND  
001 NO TAPS  
N NO TAP CHANGER SELECTED  
112 208Y/120 LH  
S5 ANSI SPECIFIC K DIM=5.0  
L LOOP FEED  
000 GENERIC STD FIXED STUD WELL  
G15 STD INSERT SYSTEM SELECT  
000 ELBOW ARRESTERS NOT SELECTED  
000 NO INS. STANDOFF BUSHING SELECTED  
000 NO INS. PROTECTIVE CAP SELECTED  
S STAGGERED LV BUSHING ARRANGEMENT  
000 ERMCO STD STUD LV BUSHINGS  
400 4 HOLE NEMA SPADES  
0 NO SUPPORTS SELECTED  
E58 DUAL SENSING BAYO & LINK (GENERIC)  
A00 STD ISOLATION LINK BY CONFIGURATOR

EXHIBIT D - VENDOR'S PROPOSAL

CUSTOMER COPY

QUOTE # 753566-00  
QUOTED DATE 2/18/25

BILL TO:  
GRESKO UTILITY SUPPLY, INC.  
1135 RUMBLE ROAD

SHIP TO:  
CITY OF OCALA - GRESKO  
CENTRAL WAREHOUSE  
2100 NE 30TH AVENUE

ATTN= ACCOUNTS PAYABLE  
FORSYTH GA31029

OCALA FL34470-4800

DESCRIPTION	PRODUCT NUMBER	QTY	UNIT PRICE	EXT PRICE
304	304L STAINLESS TANK & BASE			
3	ERMCO STANDARD TANK COVER S.S			
304	304L STAINLESS CABINET & SILL			
0	STD CABINET PARTITION			
0	PADMOUNT GREEN FINISH			
2	SS HARDWARE W/BRONZE NUTS			
11	SILICON BRONZE PENTABOLT			
2	#08-2/0 2-WAY SILICON BRONZE 19-02			
0	GROUND BOSS IN PRIMARY & SECONDARY			
00	STANDARD AIR SPACE			
90	FR3 PRV QUAL 202-130-10T			
Z	ERMCO STD DRAIN VALVE W/ SAMPLER			
P	DRAIN IN PRIMARY COMPARTMENT			
0	1"NPT FILL PLUG			
Z	SEC ERMCO STD LIQUID LEVEL GAUGE			
0	NO VACUUM GAGE SELECTED			
Z	ERMCO STD TEMPERATURE GAGE			
8	ENVIROTEMP FR3			
A	STANDARD TWO NAMEPLATES			
00	STD KVA DECAL OUTSIDE			
00	DOES NOT REQUIRE PCB DECAL.			
11	DANGER "MR.OUCH" GENERIC (3-52-02)			
02	WARNING "MR OUCH" GENERIC(3-52-01)			
99	STD PRIMARY DECAL INSIDE(HV)			
00	NO SECONDARY VOLTAGE DECALS			
00	STD ERMCO "E" LOGO DECAL (3-8-151)			
0	STANDARD PALLET			
N	NO SPECIAL TEST NEEDED			
OPTIONS END.....				

ITEM 2  
ERMCO 3 PHASE PAD TRANSFORMER 3PH-PAD 1  
ITEM# : 2.00  
YOUR PRODUCT E05040075  
CORE WGT 454.09 STEEL TYP M3 SHIP WGT 3,328.7334  
UNIT WGT 3,279.73 C&C WGT 631.0 CORE WDTN SINGLE  
NL= 212 LL= 577 IZ=2.900 TL= 789

OPTIONS BEGIN.....  
ERMCO ERMCO STD 3PH TRANSFORMER  
0075 75 KVA  
G GRDY  
001G 12470GY/7200 95 BIL  
X H0/X0 GROUND

EXHIBIT D - VENDOR'S PROPOSAL

CUSTOMER COPY

QUOTE # 753566-00  
QUOTED DATE 2/18/25

BILL TO:  
GRESKO UTILITY SUPPLY, INC.  
1135 RUMBLE ROAD

SHIP TO:  
CITY OF OCALA - GRESKO  
CENTRAL WAREHOUSE  
2100 NE 30TH AVENUE

ATTN= ACCOUNTS PAYABLE  
FORSYTH GA31029

OCALA FL34470-4800

DESCRIPTION	PRODUCT NUMBER	QTY	UNIT PRICE	EXT PRICE
001	NO TAPS			
N	NO TAP CHANGER SELECTED			
112	208Y/120 LH			
S5	ANSI SPECIFIC K DIM=5.0			
L	LOOP FEED			
000	GENERIC STD FIXED STUD WELL			
G15	STD INSERT SYSTEM SELECT			
000	ELBOW ARRESTERS NOT SELECTED			
000	NO INS. STANDOFF BUSHING SELECTED			
000	NO INS. PROTECTIVE CAP SELECTED			
S	STAGGERED LV BUSHING ARRANGEMENT			
000	ERMCO STD STUD LV BUSHINGS			
400	4 HOLE NEMA SPADES			
0	NO SUPPORTS SELECTED			
E58	DUAL SENSING BAYO & LINK (GENERIC)			
A00	STD ISOLATION LINK BY CONFIGURATOR			
304	304L STAINLESS TANK & BASE			
3	ERMCO STANDARD TANK COVER S.S			
304	304L STAINLESS CABINET & SILL			
0	STD CABINET PARTITION			
0	PADMOUNT GREEN FINISH			
2	SS HARDWARE W/BRONZE NUTS			
11	SILICON BRONZE PENTABOLT			
2	#08-2/0 2-WAY SILICON BRONZE 19-02			
0	GROUND BOSS IN PRIMARY & SECONDARY			
00	STANDARD AIR SPACE			
90	FR3 PRV QUAL 202-130-10T			
Z	ERMCO STD DRAIN VALVE W/ SAMPLER			
P	DRAIN IN PRIMARY COMPARTMENT			
0	1"NPT FILL PLUG			
Z	SEC ERMCO STD LIQUID LEVEL GAUGE			
0	NO VACUUM GAGE SELECTED			
Z	ERMCO STD TEMPERATURE GAGE			
8	ENVIROTEMP FR3			
A	STANDARD TWO NAMEPLATES			
00	STD KVA DECAL OUTSIDE			
00	DOES NOT REQUIRE PCB DECAL.			
11	DANGER "MR.OUCH" GENERIC (3-52-02)			
02	WARNING "MR OUCH" GENERIC(3-52-01)			
99	STD PRIMARY DECAL INSIDE(HV)			
00	NO SECONDARY VOLTAGE DECALS			
00	STD ERMCO "E" LOGO DECAL (3-8-151)			
0	STANDARD PALLET			
N	NO SPECIAL TEST NEEDED			
OPTIONS END.....				

EXHIBIT D - VENDOR'S PROPOSAL

CUSTOMER COPY

QUOTE # 753566-00  
QUOTED DATE 2/18/25

BILL TO:  
GRESKO UTILITY SUPPLY, INC.  
1135 RUMBLE ROAD

SHIP TO:  
CITY OF OCALA - GRESKO  
CENTRAL WAREHOUSE  
2100 NE 30TH AVENUE

ATTN= ACCOUNTS PAYABLE  
FORSYTH GA31029

OCALA FL34470-4800

DESCRIPTION PRODUCT NUMBER QTY UNIT PRICE EXT PRICE

ITEM 3  
ERMCO 3 PHASE PAD TRANSFORMER 3PH-PAD 1  
ITEM# : 3.00

YOUR PRODUCT E05040150  
CORE WGT 866.36 STEEL TYP M3 SHIP WGT 5,397.3176  
UNIT WGT 5,348.31 C&C WGT 1,239.2 CORE WPTH SINGLE  
NL= 362 LL= 931 IZ=3.200 TL= 1293

OPTIONS BEGIN.....

ERMCO ERMCO STD 3PH TRANSFORMER  
0150 150 KVA  
G GRDY  
001G 12470GY/7200 95 BIL  
X H0/X0 GROUND  
001 NO TAPS  
N NO TAP CHANGER SELECTED  
112 208Y/120 LH  
S5 ANSI SPECIFIC K DIM=5.0  
L LOOP FEED  
000 GENERIC STD FIXED STUD WELL  
G15 STD INSERT SYSTEM SELECT  
000 ELBOW ARRESTERS NOT SELECTED  
000 NO INS. STANDOFF BUSHING SELECTED  
000 NO INS. PROTECTIVE CAP SELECTED  
S STAGGERED LV BUSHING ARRANGEMENT  
000 ERMCO STD STUD LV BUSHINGS  
600 6 HOLE NEMA SPADES  
1 LV BUSHING SUPPORTS REQUIRED  
E58 DUAL SENSING BAYO & LINK (GENERIC)  
A00 STD ISOLATION LINK BY CONFIGURATOR  
304 304L STAINLESS TANK & BASE  
4 TANK COVER W/ROUND HANDHOLE S.S  
304 304L STAINLESS CABINET & SILL  
0 STD CABINET PARTITION  
0 PADMOUNT GREEN FINISH  
2 SS HARDWARE W/BRONZE NUTS  
11 SILICON BRONZE PENTABOLT  
2 #08-2/0 2-WAY SILICON BRONZE 19-02  
0 GROUND BOSS IN PRIMARY & SECONDARY  
00 STANDARD AIR SPACE  
90 FR3 PRV QUAL 202-130-10T  
Z ERMCO STD DRAIN VALVE W/ SAMPLER  
P DRAIN IN PRIMARY COMPARTMENT  
0 1"NPT FILL PLUG  
Z SEC ERMCO STD LIQUID LEVEL GAUGE

EXHIBIT D - VENDOR'S PROPOSAL

CUSTOMER COPY

QUOTE # 753566-00  
QUOTED DATE 2/18/25

BILL TO:  
GRESKO UTILITY SUPPLY, INC.  
1135 RUMBLE ROAD

SHIP TO:  
CITY OF OCALA - GRESKO  
CENTRAL WAREHOUSE  
2100 NE 30TH AVENUE

ATTN= ACCOUNTS PAYABLE  
FORSYTH GA31029

OCALA FL34470-4800

DESCRIPTION	PRODUCT NUMBER	QTY	UNIT PRICE	EXT PRICE
0	NO VACUUM GAGE SELECTED			
Z	ERMCO STD TEMPERATURE GAGE			
8	ENVIROTEMP FR3			
A	STANDARD TWO NAMEPLATES			
00	STD KVA DECAL OUTSIDE			
00	DOES NOT REQUIRE PCB DECAL.			
11	DANGER "MR.OUCH" GENERIC (3-52-02)			
02	WARNING "MR OUCH" GENERIC(3-52-01)			
99	STD PRIMARY DECAL INSIDE(HV)			
00	NO SECONDARY VOLTAGE DECALS			
00	STD ERMCO "E" LOGO DECAL (3-8-151)			
0	STANDARD PALLET			
N	NO SPECIAL TEST NEEDED			
OPTIONS END.....				

ITEM 4  
ERMCO 3 PHASE PAD TRANSFORMER 3PH-PAD 1  
ITEM# : 4.00  
YOUR PRODUCT E05040225  
CORE WGT 1,095.71 STEEL TYP M3 SHIP WGT 5,694.1747  
UNIT WGT 5,645.17 C&C WGT 1,514.3 CORE WPTH SINGLE  
NL= 472 LL= 1409 IZ=3.200 TL= 1881

OPTIONS BEGIN.....  
ERMCO ERMCO STD 3PH TRANSFORMER  
0225 225 KVA  
G GRDY  
001G 12470GY/7200 95 BIL  
X H0/X0 GROUND  
001 NO TAPS  
N NO TAP CHANGER SELECTED  
112 208Y/120 LH  
S5 ANSI SPECIFIC K DIM=5.0  
L LOOP FEED  
000 GENERIC STD FIXED STUD WELL  
G15 STD INSERT SYSTEM SELECT  
000 ELBOW ARRESTERS NOT SELECTED  
000 NO INS. STANDOFF BUSHING SELECTED  
000 NO INS. PROTECTIVE CAP SELECTED  
S STAGGERED LV BUSHING ARRANGEMENT  
000 ERMCO STD STUD LV BUSHINGS  
600 6 HOLE NEMA SPADES  
1 LV BUSHING SUPPORTS REQUIRED  
E58 DUAL SENSING BAYO & LINK (GENERIC)

EXHIBIT D - VENDOR'S PROPOSAL

CUSTOMER COPY

QUOTE # 753566-00  
QUOTED DATE 2/18/25

BILL TO:  
GRESKO UTILITY SUPPLY, INC.  
1135 RUMBLE ROAD

SHIP TO:  
CITY OF OCALA - GRESKO  
CENTRAL WAREHOUSE  
2100 NE 30TH AVENUE

ATTN= ACCOUNTS PAYABLE  
FORSYTH GA31029

OCALA FL34470-4800

DESCRIPTION	PRODUCT NUMBER	QTY	UNIT PRICE	EXT PRICE
A00	STD ISOLATION LINK BY CONFIGURATOR			
304	304L STAINLESS TANK & BASE			
4	TANK COVER W/ROUND HANDHOLE S.S			
304	304L STAINLESS CABINET & SILL			
0	STD CABINET PARTITION			
0	PADMOUNT GREEN FINISH			
2	SS HARDWARE W/BRONZE NUTS			
11	SILICON BRONZE PENTABOLT			
2	#08-2/0 2-WAY SILICON BRONZE 19-02			
0	GROUND BOSS IN PRIMARY & SECONDARY			
00	STANDARD AIR SPACE			
90	FR3 PRV QUAL 202-130-10T			
Z	ERMCO STD DRAIN VALVE W/ SAMPLER			
P	DRAIN IN PRIMARY COMPARTMENT			
0	1"NPT FILL PLUG			
Z	SEC ERMCO STD LIQUID LEVEL GAUGE			
0	NO VACUUM GAGE SELECTED			
Z	ERMCO STD TEMPERATURE GAGE			
8	ENVIROTEMP FR3			
A	STANDARD TWO NAMEPLATES			
00	STD KVA DECAL OUTSIDE			
00	DOES NOT REQUIRE PCB DECAL.			
11	DANGER "MR.OUCH" GENERIC (3-52-02)			
02	WARNING "MR OUCH" GENERIC(3-52-01)			
99	STD PRIMARY DECAL INSIDE(HV)			
00	NO SECONDARY VOLTAGE DECALS			
00	STD ERMCO "E" LOGO DECAL (3-8-151)			
0	STANDARD PALLET			
N	NO SPECIAL TEST NEEDED			
OPTIONS END.....				

ITEM 5  
ERMCO 3 PHASE PAD TRANSFORMER 3PH-PAD 1  
ITEM# : 5.00  
YOUR PRODUCT E05040300  
CORE WGT 1,356.06 STEEL TYP M3 SHIP WGT 6,003.1971  
UNIT WGT 5,954.19 C&C WGT 1,849.4 CORE WPTH SINGLE-10.2  
NL= 606 LL= 1905 IZ=3.400 TL= 2511

OPTIONS BEGIN.....  
ERMCO ERMCO STD 3PH TRANSFORMER  
0300 300 KVA  
G GRDY  
001G 12470GY/7200 95 BIL

**EXHIBIT D - VENDOR'S PROPOSAL**

CUSTOMER COPY

QUOTE # 753566-00  
 QUOTED DATE 2/18/25

BILL TO:  
 GRESKO UTILITY SUPPLY, INC.  
 1135 RUMBLE ROAD

SHIP TO:  
 CITY OF OCALA - GRESKO  
 CENTRAL WAREHOUSE  
 2100 NE 30TH AVENUE

ATTN= ACCOUNTS PAYABLE  
 FORSYTH GA31029

OCALA FL34470-4800

DESCRIPTION	PRODUCT NUMBER	QTY	UNIT PRICE	EXT PRICE
X	H0/X0 GROUND			
001	NO TAPS			
N	NO TAP CHANGER SELECTED			
112	208Y/120 LH			
S5	ANSI SPECIFIC K DIM=5.0			
L	LOOP FEED			
000	GENERIC STD FIXED STUD WELL			
G15	STD INSERT SYSTEM SELECT			
000	ELBOW ARRESTERS NOT SELECTED			
000	NO INS. STANDOFF BUSHING SELECTED			
000	NO INS. PROTECTIVE CAP SELECTED			
S	STAGGERED LV BUSHING ARRANGEMENT			
000	ERMCO STD STUD LV BUSHINGS			
10H	10 HOLE NEMA SPADES			
1	LV BUSHING SUPPORTS REQUIRED			
E58	DUAL SENSING BAYO & LINK (GENERIC)			
A00	STD ISOLATION LINK BY CONFIGURATOR			
304	304L STAINLESS TANK & BASE			
4	TANK COVER W/ROUND HANDHOLE S.S			
304	304L STAINLESS CABINET & SILL			
0	STD CABINET PARTITION			
0	PADMOUNT GREEN FINISH			
2	SS HARDWARE W/BRONZE NUTS			
11	SILICON BRONZE PENTABOLT			
2	#08-2/0 2-WAY SILICON BRONZE 19-02			
0	GROUND BOSS IN PRIMARY & SECONDARY			
00	STANDARD AIR SPACE			
90	FR3 PRV QUAL 202-130-10T			
Z	ERMCO STD DRAIN VALVE W/ SAMPLER			
P	DRAIN IN PRIMARY COMPARTMENT			
0	1"NPT FILL PLUG			
Z	SEC ERMCO STD LIQUID LEVEL GAUGE			
0	NO VACUUM GAGE SELECTED			
Z	ERMCO STD TEMPERATURE GAGE			
8	ENVIROTEMP FR3			
A	STANDARD TWO NAMEPLATES			
00	STD KVA DECAL OUTSIDE			
00	DOES NOT REQUIRE PCB DECAL.			
11	DANGER "MR.OUCH" GENERIC (3-52-02)			
02	WARNING "MR OUCH" GENERIC(3-52-01)			
99	STD PRIMARY DECAL INSIDE(HV)			
00	NO SECONDARY VOLTAGE DECALS			
00	STD ERMCO "E" LOGO DECAL (3-8-151)			
0	STANDARD PALLET			
N	NO SPECIAL TEST NEEDED			

EXHIBIT D - VENDOR'S PROPOSAL

CUSTOMER COPY

QUOTE # 753566-00  
QUOTED DATE 2/18/25

BILL TO:  
GRESKO UTILITY SUPPLY, INC.  
1135 RUMBLE ROAD

SHIP TO:  
CITY OF OCALA - GRESKO  
CENTRAL WAREHOUSE  
2100 NE 30TH AVENUE

ATTN= ACCOUNTS PAYABLE  
FORSYTH GA31029

OCALA FL34470-4800

<u>DESCRIPTION</u>	<u>PRODUCT NUMBER</u>	<u>QTY</u>	<u>UNIT PRICE</u>	<u>EXT PRICE</u>
OPTIONS END.....				

ITEM 6  
ERMCO 3 PHASE PAD TRANSFORMER 3PH-PAD 1  
ITEM# : 6.00  
YOUR PRODUCT E05040500  
CORE WGT 1,777.28 STEEL TYP M3 SHIP WGT 7,063.3907  
UNIT WGT 7,005.39 C&C WGT 2,536.5 CORE WPTH SINGLE-10.2  
NL= 796 LL= 3449 IZ=4.700 TL= 4245

OPTIONS BEGIN.....

ERMCO ERMCO STD 3PH TRANSFORMER  
0500 500 KVA  
G GRDY  
001G 12470GY/7200 95 BIL  
X H0/X0 GROUND  
003 2 TAPS 2.5% ABOVE & BELOW NORMAL  
P T/C HANDLE IN P.SIDE COMPARTMENT  
112 208Y/120 LH  
S5 ANSI SPECIFIC K DIM=5.0  
L LOOP FEED  
000 GENERIC STD FIXED STUD WELL  
G15 STD INSERT SYSTEM SELECT  
000 ELBOW ARRESTERS NOT SELECTED  
000 NO INS. STANDOFF BUSHING SELECTED  
000 NO INS. PROTECTIVE CAP SELECTED  
S STAGGERED LV BUSHING ARRANGEMENT  
000 ERMCO STD STUD LV BUSHINGS  
10H 10 HOLE NEMA SPADES  
1 LV BUSHING SUPPORTS REQUIRED  
E58 DUAL SENSING BAYO & LINK (GENERIC)  
A00 STD ISOLATION LINK BY CONFIGURATOR  
304 304L STAINLESS TANK & BASE  
4 TANK COVER W/ROUND HANDHOLE S.S  
304 304L STAINLESS CABINET & SILL  
0 STD CABINET PARTITION  
0 PADMOUNT GREEN FINISH  
2 SS HARDWARE W/BRONZE NUTS  
11 SILICON BRONZE PENTABOLT  
2 #08-2/0 2-WAY SILICON BRONZE 19-02  
0 GROUND BOSS IN PRIMARY & SECONDARY  
00 STANDARD AIR SPACE  
90 FR3 PRV QUAL 202-130-10T  
Z ERMCO STD DRAIN VALVE W/ SAMPLER

EXHIBIT D - VENDOR'S PROPOSAL

CUSTOMER COPY

QUOTE # 753566-00  
QUOTED DATE 2/18/25

BILL TO:  
GRESKO UTILITY SUPPLY, INC.  
1135 RUMBLE ROAD

SHIP TO:  
CITY OF OCALA - GRESKO  
CENTRAL WAREHOUSE  
2100 NE 30TH AVENUE

ATTN= ACCOUNTS PAYABLE  
FORSYTH GA31029

OCALA FL34470-4800

DESCRIPTION	PRODUCT NUMBER	QTY	UNIT PRICE	EXT PRICE
P	DRAIN IN PRIMARY COMPARTMENT			
0	1"NPT FILL PLUG			
Z	SEC ERMCO STD LIQUID LEVEL GAUGE			
0	NO VACUUM GAGE SELECTED			
Z	ERMCO STD TEMPERATURE GAGE			
8	ENVIROTEMP FR3			
A	STANDARD TWO NAMEPLATES			
00	STD KVA DECAL OUTSIDE			
00	DOES NOT REQUIRE PCB DECAL.			
11	DANGER "MR.OUCH" GENERIC (3-52-02)			
02	WARNING "MR OUCH" GENERIC(3-52-01)			
99	STD PRIMARY DECAL INSIDE(HV)			
00	NO SECONDARY VOLTAGE DECALS			
00	STD ERMCO "E" LOGO DECAL (3-8-151)			
0	STANDARD PALLET			
N	NO SPECIAL TEST NEEDED			
OPTIONS END.....				

ITEM 7  
ERMCO 3 PHASE PAD TRANSFORMER 3PH-PAD 1  
ITEM# : 7.00  
YOUR PRODUCT E05040750  
CORE WGT 2,976.02 STEEL TYP M3 SHIP WGT 10,138.3606  
UNIT WGT 10,086.36 C&C WGT 4,628.0 CORE WDTN DOUBLE  
NL= 926 LL= 4893 IZ=5.600 TL= 5819

OPTIONS BEGIN.....  
ERMCO ERMCO STD 3PH TRANSFORMER  
0750 750 KVA  
G GRDY  
001G 12470GY/7200 95 BIL  
X H0/X0 GROUND  
003 2 TAPS 2.5% ABOVE & BELOW NORMAL  
P T/C HANDLE IN P.SIDE COMPARTMENT  
112 208Y/120 LH  
S5 ANSI SPECIFIC K DIM=5.0  
L LOOP FEED  
000 GENERIC STD FIXED STUD WELL  
G15 STD INSERT SYSTEM SELECT  
000 ELBOW ARRESTERS NOT SELECTED  
000 NO INS. STANDOFF BUSHING SELECTED  
000 NO INS. PROTECTIVE CAP SELECTED  
S STAGGERED LV BUSHING ARRANGEMENT  
000 ERMCO STD STUD LV BUSHINGS

EXHIBIT D - VENDOR'S PROPOSAL

CUSTOMER COPY

QUOTE # 753566-00  
QUOTED DATE 2/18/25

BILL TO:  
GRESKO UTILITY SUPPLY, INC.  
1135 RUMBLE ROAD

SHIP TO:  
CITY OF OCALA - GRESKO  
CENTRAL WAREHOUSE  
2100 NE 30TH AVENUE

ATTN= ACCOUNTS PAYABLE  
FORSYTH GA31029

OCALA FL34470-4800

DESCRIPTION	PRODUCT NUMBER	QTY	UNIT PRICE	EXT PRICE
10H	10 HOLE NEMA SPADES			
1	LV BUSHING SUPPORTS REQUIRED			
E58	DUAL SENSING BAYO & LINK (GENERIC)			
A00	STD ISOLATION LINK BY CONFIGURATOR			
304	304L STAINLESS TANK & BASE			
4	TANK COVER W/ROUND HANDHOLE S.S			
304	304L STAINLESS CABINET & SILL			
0	STD CABINET PARTITION			
0	PADMOUNT GREEN FINISH			
2	SS HARDWARE W/BRONZE NUTS			
11	SILICON BRONZE PENTABOLT			
2	#08-2/0 2-WAY SILICON BRONZE 19-02			
1	S.S. 2HOLE GRD PAD IN PRI & SEC			
00	STANDARD AIR SPACE			
90	FR3 PRV QUAL 202-130-10T			
Z	ERMCO STD DRAIN VALVE W/ SAMPLER			
P	DRAIN IN PRIMARY COMPARTMENT			
0	1"NPT FILL PLUG			
Z	SEC ERMCO STD LIQUID LEVEL GAUGE			
0	NO VACUUM GAGE SELECTED			
Z	ERMCO STD TEMPERATURE GAGE			
8	ENVIROTEMP FR3			
A	STANDARD TWO NAMEPLATES			
00	STD KVA DECAL OUTSIDE			
00	DOES NOT REQUIRE PCB DECAL.			
11	DANGER "MR.OUCH" GENERIC (3-52-02)			
02	WARNING "MR OUCH" GENERIC(3-52-01)			
99	STD PRIMARY DECAL INSIDE(HV)			
00	NO SECONDARY VOLTAGE DECALS			
00	STD ERMCO "E" LOGO DECAL (3-8-151)			
0	STANDARD PALLET			
N	NO SPECIAL TEST NEEDED			
OPTIONS END.....				

ITEM 8  
ERMCO 3 PHASE PAD TRANSFORMER 3PH-PAD 1  
ITEM# : 8.00  
YOUR PRODUCT E05041000  
CORE WGT 3,406.25 STEEL TYP M3 SHIP WGT 11,041.7680  
UNIT WGT 10,981.76 C&C WGT 4,975.1 CORE WPTH DOUBLE  
NL= 1293 LL= 6745 IZ=5.600 TL= 8038  
OPTIONS BEGIN.....  
ERMCO ERMCO STD 3PH TRANSFORMER

**EXHIBIT D - VENDOR'S PROPOSAL**

CUSTOMER COPY

QUOTE # 753566-00  
 QUOTED DATE 2/18/25

BILL TO:  
 GRESKO UTILITY SUPPLY, INC.  
 1135 RUMBLE ROAD

SHIP TO:  
 CITY OF OCALA - GRESKO  
 CENTRAL WAREHOUSE  
 2100 NE 30TH AVENUE

ATTN= ACCOUNTS PAYABLE  
 FORSYTH GA31029

OCALA FL34470-4800

DESCRIPTION	PRODUCT NUMBER	QTY	UNIT PRICE	EXT PRICE
1000	1000 KVA			
G	GRDY			
001G	12470GY/7200 95 BIL			
X	H0/X0 GROUND			
003	2 TAPS 2.5% ABOVE & BELOW NORMAL			
P	T/C HANDLE IN P.SIDE COMPARTMENT			
112	208Y/120 LH			
S5	ANSI SPECIFIC K DIM=5.0			
L	LOOP FEED			
000	GENERIC STD FIXED STUD WELL			
G15	STD INSERT SYSTEM SELECT			
000	ELBOW ARRESTERS NOT SELECTED			
000	NO INS. STANDOFF BUSHING SELECTED			
000	NO INS. PROTECTIVE CAP SELECTED			
S	STAGGERED LV BUSHING ARRANGEMENT			
510	HJ INTG 10H SPD			
1	LV BUSHING SUPPORTS REQUIRED			
E58	DUAL SENSING BAYO & LINK (GENERIC)			
A00	STD ISOLATION LINK BY CONFIGURATOR			
304	304L STAINLESS TANK & BASE			
4	TANK COVER W/ROUND HANDHOLE S.S			
304	304L STAINLESS CABINET & SILL			
0	STD CABINET PARTITION			
0	PADMOUNT GREEN FINISH			
2	SS HARDWARE W/BRONZE NUTS			
11	SILICON BRONZE PENTABOLT			
2	#08-2/0 2-WAY SILICON BRONZE 19-02			
1	S.S. 2HOLE GRD PAD IN PRI & SEC			
00	STANDARD AIR SPACE			
90	FR3 PRV QUAL 202-130-10T			
Z	ERMCO STD DRAIN VALVE W/ SAMPLER			
P	DRAIN IN PRIMARY COMPARTMENT			
0	1"NPT FILL PLUG			
Z	SEC ERMCO STD LIQUID LEVEL GAUGE			
0	NO VACUUM GAGE SELECTED			
Z	ERMCO STD TEMPERATURE GAGE			
8	ENVIROTEMP FR3			
A	STANDARD TWO NAMEPLATES			
00	STD KVA DECAL OUTSIDE			
00	DOES NOT REQUIRE PCB DECAL.			
11	DANGER "MR.OUCH" GENERIC (3-52-02)			
02	WARNING "MR OUCH" GENERIC(3-52-01)			
99	STD PRIMARY DECAL INSIDE(HV)			
00	NO SECONDARY VOLTAGE DECALS			
00	STD ERMCO "E" LOGO DECAL (3-8-151)			

EXHIBIT D - VENDOR'S PROPOSAL

CUSTOMER COPY

QUOTE # 753566-00  
QUOTED DATE 2/18/25

BILL TO:  
GRESKO UTILITY SUPPLY, INC.  
1135 RUMBLE ROAD

SHIP TO:  
CITY OF OCALA - GRESKO  
CENTRAL WAREHOUSE  
2100 NE 30TH AVENUE

ATTN= ACCOUNTS PAYABLE  
FORSYTH GA31029

OCALA FL34470-4800

DESCRIPTION	PRODUCT NUMBER	QTY	UNIT PRICE	EXT PRICE
0 N OPTIONS END.....	STANDARD PALLET NO SPECIAL TEST NEEDED			

ITEM 9  
ERMCO 3 PHASE PAD TRANSFORMER 3PH-PAD 1  
ITEM# : 9.00  
YOUR PRODUCT E05050300  
CORE WGT 1,356.06 STEEL TYP M3 SHIP WGT 5,989.8789  
UNIT WGT 5,940.87 C&C WGT 1,829.9 CORE WDTN SINGLE-10.2  
NL= 606 LL= 1848 IZ=3.300 TL= 2454

OPTIONS BEGIN.....

ERMCO ERMCO STD 3PH TRANSFORMER  
0300 300 KVA  
Y WYE  
501Y 12470Y/7200 95 BIL  
N NO NEUTRAL GROUND  
001 NO TAPS  
N NO TAP CHANGER SELECTED  
350 240 DELTA W/ ONE 120 MIDTAP LH  
S5 ANSI SPECIFIC K DIM=5.0  
L LOOP FEED  
000 GENERIC STD FIXED STUD WELL  
G15 STD INSERT SYSTEM SELECT  
000 ELBOW ARRESTERS NOT SELECTED  
000 NO INS. STANDOFF BUSHING SELECTED  
000 NO INS. PROTECTIVE CAP SELECTED  
S STAGGERED LV BUSHING ARRANGEMENT  
000 ERMCO STD STUD LV BUSHINGS  
10H 10 HOLE NEMA SPADES  
1 LV BUSHING SUPPORTS REQUIRED  
E58 DUAL SENSING BAYO & LINK (GENERIC)  
A00 STD ISOLATION LINK BY CONFIGURATOR  
304 304L STAINLESS TANK & BASE  
4 TANK COVER W/ROUND HANDHOLE S.S  
304 304L STAINLESS CABINET & SILL  
0 STD CABINET PARTITION  
0 PADMOUNT GREEN FINISH  
2 SS HARDWARE W/BRONZE NUTS  
11 SILICON BRONZE PENTABOLT  
2 #08-2/0 2-WAY SILICON BRONZE 19-02  
0 GROUND BOSS IN PRIMARY & SECONDARY  
00 STANDARD AIR SPACE

EXHIBIT D - VENDOR'S PROPOSAL

CUSTOMER COPY

QUOTE # 753566-00  
QUOTED DATE 2/18/25

BILL TO:  
GRESKO UTILITY SUPPLY, INC.  
1135 RUMBLE ROAD

SHIP TO:  
CITY OF OCALA - GRESKO  
CENTRAL WAREHOUSE  
2100 NE 30TH AVENUE

ATTN= ACCOUNTS PAYABLE  
FORSYTH GA31029

OCALA FL34470-4800

DESCRIPTION	PRODUCT NUMBER	QTY	UNIT PRICE	EXT PRICE
90	FR3 PRV QUAL 202-130-10T			
Z	ERMCO STD DRAIN VALVE W/ SAMPLER			
P	DRAIN IN PRIMARY COMPARTMENT			
0	1"NPT FILL PLUG			
Z	SEC ERMCO STD LIQUID LEVEL GAUGE			
0	NO VACUUM GAGE SELECTED			
Z	ERMCO STD TEMPERATURE GAGE			
8	ENVIROTEMP FR3			
A	STANDARD TWO NAMEPLATES			
00	STD KVA DECAL OUTSIDE			
00	DOES NOT REQUIRE PCB DECAL.			
11	DANGER "MR.OUCH" GENERIC (3-52-02)			
02	WARNING "MR OUCH" GENERIC(3-52-01)			
99	STD PRIMARY DECAL INSIDE(HV)			
00	NO SECONDARY VOLTAGE DECALS			
00	STD ERMCO "E" LOGO DECAL (3-8-151)			
0	STANDARD PALLET			
N	NO SPECIAL TEST NEEDED			
OPTIONS END.....				

ITEM 10  
ERMCO 3 PHASE PAD TRANSFORMER 3PH-PAD 1  
ITEM# : 10.00  
YOUR PRODUCT E5050500  
CORE WGT 1,695.92 STEEL TYP M3 SHIP WGT 6,947.8215  
UNIT WGT 6,889.82 C&C WGT 2,397.4 CORE WDTN SINGLE-10.2  
NL= 843 LL= 3289 IZ=4.600 TL= 4132

OPTIONS BEGIN.....  
ERMCO ERMCO STD 3PH TRANSFORMER  
0500 500 KVA  
Y WYE  
501Y 12470Y/7200 95 BIL  
N NO NEUTRAL GROUND  
003 2 TAPS 2.5% ABOVE & BELOW NORMAL  
P T/C HANDLE IN P.SIDE COMPARTMENT  
350 240 DELTA W/ ONE 120 MIDTAP LH  
S5 ANSI SPECIFIC K DIM=5.0  
L LOOP FEED  
000 GENERIC STD FIXED STUD WELL  
G15 STD INSERT SYSTEM SELECT  
000 ELBOW ARRESTERS NOT SELECTED  
000 NO INS. STANDOFF BUSHING SELECTED  
000 NO INS. PROTECTIVE CAP SELECTED

EXHIBIT D - VENDOR'S PROPOSAL

CUSTOMER COPY

QUOTE # 753566-00  
QUOTED DATE 2/18/25

BILL TO:  
GRESKO UTILITY SUPPLY, INC.  
1135 RUMBLE ROAD

SHIP TO:  
CITY OF OCALA - GRESKO  
CENTRAL WAREHOUSE  
2100 NE 30TH AVENUE

ATTN= ACCOUNTS PAYABLE  
FORSYTH GA31029

OCALA FL34470-4800

DESCRIPTION	PRODUCT NUMBER	QTY	UNIT PRICE	EXT PRICE
S	STAGGERED LV BUSHING ARRANGEMENT			
000	ERMCO STD STUD LV BUSHINGS			
10H	10 HOLE NEMA SPADES			
1	LV BUSHING SUPPORTS REQUIRED			
E58	DUAL SENSING BAYO & LINK (GENERIC)			
A00	STD ISOLATION LINK BY CONFIGURATOR			
304	304L STAINLESS TANK & BASE			
4	TANK COVER W/ROUND HANDHOLE S.S			
304	304L STAINLESS CABINET & SILL			
0	STD CABINET PARTITION			
0	PADMOUNT GREEN FINISH			
2	SS HARDWARE W/BRONZE NUTS			
11	SILICON BRONZE PENTABOLT			
2	#08-2/0 2-WAY SILICON BRONZE 19-02			
0	GROUND BOSS IN PRIMARY & SECONDARY			
00	STANDARD AIR SPACE			
90	FR3 PRV QUAL 202-130-10T			
Z	ERMCO STD DRAIN VALVE W/ SAMPLER			
P	DRAIN IN PRIMARY COMPARTMENT			
0	1"NPT FILL PLUG			
Z	SEC ERMCO STD LIQUID LEVEL GAUGE			
0	NO VACUUM GAGE SELECTED			
Z	ERMCO STD TEMPERATURE GAGE			
8	ENVIROTEMP FR3			
A	STANDARD TWO NAMEPLATES			
00	STD KVA DECAL OUTSIDE			
00	DOES NOT REQUIRE PCB DECAL.			
11	DANGER "MR.OUCH" GENERIC (3-52-02)			
02	WARNING "MR OUCH" GENERIC(3-52-01)			
99	STD PRIMARY DECAL INSIDE(HV)			
00	NO SECONDARY VOLTAGE DECALS			
00	STD ERMCO "E" LOGO DECAL (3-8-151)			
0	STANDARD PALLET			
N	NO SPECIAL TEST NEEDED			
OPTIONS END.....				

ITEM 11  
ERMCO 3 PHASE PAD TRANSFORMER 3PH-PAD 1  
ITEM# : 11.00  
YOUR PRODUCT E05070075  
CORE WGT 486.17 STEEL TYP M3 SHIP WGT 4,880.3946  
UNIT WGT 4,831.39 C&C WGT 689.1 CORE WPTH SINGLE  
NL= 228 LL= 461 IZ=2.900 TL= 689

**EXHIBIT D - VENDOR'S PROPOSAL**

CUSTOMER COPY

QUOTE # 753566-00  
 QUOTED DATE 2/18/25

BILL TO:  
 GRESKO UTILITY SUPPLY, INC.  
 1135 RUMBLE ROAD

SHIP TO:  
 CITY OF OCALA - GRESKO  
 CENTRAL WAREHOUSE  
 2100 NE 30TH AVENUE

ATTN= ACCOUNTS PAYABLE  
 FORSYTH GA31029

OCALA FL34470-4800

DESCRIPTION	PRODUCT NUMBER	QTY	UNIT PRICE	EXT PRICE
OPTIONS BEGIN.....				
ERMCO	ERMCO STD 3PH TRANSFORMER			
0075	75 KVA			
G	GRDY			
001G	12470GY/7200 95 BIL			
X	H0/X0 GROUND			
001	NO TAPS			
N	NO TAP CHANGER SELECTED			
127	480Y/277 LH			
S5	ANSI SPECIFIC K DIM=5.0			
L	LOOP FEED			
000	GENERIC STD FIXED STUD WELL			
G15	STD INSERT SYSTEM SELECT			
000	ELBOW ARRESTERS NOT SELECTED			
000	NO INS. STANDOFF BUSHING SELECTED			
000	NO INS. PROTECTIVE CAP SELECTED			
S	STAGGERED LV BUSHING ARRANGEMENT			
000	ERMCO STD STUD LV BUSHINGS			
0	NO SUPPORTS SELECTED			
E58	DUAL SENSING BAYO & LINK (GENERIC)			
A00	STD ISOLATION LINK BY CONFIGURATOR			
304	304L STAINLESS TANK & BASE			
3	ERMCO STANDARD TANK COVER S.S			
304	304L STAINLESS CABINET & SILL			
0	STD CABINET PARTITION			
0	PADMOUNT GREEN FINISH			
2	SS HARDWARE W/BRONZE NUTS			
11	SILICON BRONZE PENTABOLT			
2	#08-2/0 2-WAY SILICON BRONZE 19-02			
0	GROUND BOSS IN PRIMARY & SECONDARY			
00	STANDARD AIR SPACE			
90	FR3 PRV QUAL 202-130-10T			
Z	ERMCO STD DRAIN VALVE W/ SAMPLER			
P	DRAIN IN PRIMARY COMPARTMENT			
0	1"NPT FILL PLUG			
Z	SEC ERMCO STD LIQUID LEVEL GAUGE			
0	NO VACUUM GAGE SELECTED			
Z	ERMCO STD TEMPERATURE GAGE			
8	ENVIROTEMP FR3			
A	STANDARD TWO NAMEPLATES			
00	STD KVA DECAL OUTSIDE			
00	DOES NOT REQUIRE PCB DECAL.			
11	DANGER "MR.OUCH" GENERIC (3-52-02)			
02	WARNING "MR OUCH" GENERIC(3-52-01)			
99	STD PRIMARY DECAL INSIDE (HV)			

EXHIBIT D - VENDOR'S PROPOSAL

CUSTOMER COPY

QUOTE # 753566-00  
QUOTED DATE 2/18/25

BILL TO:  
GRESKO UTILITY SUPPLY, INC.  
1135 RUMBLE ROAD

SHIP TO:  
CITY OF OCALA - GRESKO  
CENTRAL WAREHOUSE  
2100 NE 30TH AVENUE

ATTN= ACCOUNTS PAYABLE  
FORSYTH GA31029

OCALA FL34470-4800

DESCRIPTION	PRODUCT NUMBER	QTY	UNIT PRICE	EXT PRICE
00	NO SECONDARY VOLTAGE DECALS			
00	STD ERMCO "E" LOGO DECAL (3-8-151)			
0	STANDARD PALLET			
N	NO SPECIAL TEST NEEDED			
OPTIONS END.....				

ITEM 12  
ERMCO 3 PHASE PAD TRANSFORMER 3PH-PAD 1  
ITEM# : 12.00  
YOUR PRODUCT E5070150  
CORE WGT 866.36 STEEL TYP M3 SHIP WGT 5,354.5227  
UNIT WGT 5,305.52 C&C WGT 1,236.9 CORE WPTH SINGLE  
NL= 363 LL= 798 IZ=3.100 TL= 1161

OPTIONS BEGIN.....

ERMCO ERMCO STD 3PH TRANSFORMER  
0150 150 KVA  
G GRDY  
001G 12470GY/7200 95 BIL  
X H0/X0 GROUND  
001 NO TAPS  
N NO TAP CHANGER SELECTED  
127 480Y/277 LH  
S5 ANSI SPECIFIC K DIM=5.0  
L LOOP FEED  
000 GENERIC STD FIXED STUD WELL  
G15 STD INSERT SYSTEM SELECT  
000 ELBOW ARRESTERS NOT SELECTED  
000 NO INS. STANDOFF BUSHING SELECTED  
000 NO INS. PROTECTIVE CAP SELECTED  
S STAGGERED LV BUSHING ARRANGEMENT  
000 ERMCO STD STUD LV BUSHINGS  
0 NO SUPPORTS SELECTED  
E58 DUAL SENSING BAYO & LINK (GENERIC)  
A00 STD ISOLATION LINK BY CONFIGURATOR  
304 304L STAINLESS TANK & BASE  
4 TANK COVER W/ROUND HANDHOLE S.S  
304 304L STAINLESS CABINET & SILL  
0 STD CABINET PARTITION  
0 PADMOUNT GREEN FINISH  
2 SS HARDWARE W/BRONZE NUTS  
11 SILICON BRONZE PENTABOLT  
2 #08-2/0 2-WAY SILICON BRONZE 19-02  
0 GROUND BOSS IN PRIMARY & SECONDARY

EXHIBIT D - VENDOR'S PROPOSAL

CUSTOMER COPY

QUOTE # 753566-00  
QUOTED DATE 2/18/25

BILL TO:  
GRESKO UTILITY SUPPLY, INC.  
1135 RUMBLE ROAD

SHIP TO:  
CITY OF OCALA - GRESKO  
CENTRAL WAREHOUSE  
2100 NE 30TH AVENUE

ATTN= ACCOUNTS PAYABLE  
FORSYTH GA31029

OCALA FL34470-4800

DESCRIPTION	PRODUCT NUMBER	QTY	UNIT PRICE	EXT PRICE
00	STANDARD AIR SPACE			
90	FR3 PRV QUAL 202-130-10T			
Z	ERMCO STD DRAIN VALVE W/ SAMPLER			
P	DRAIN IN PRIMARY COMPARTMENT			
0	1"NPT FILL PLUG			
Z	SEC ERMCO STD LIQUID LEVEL GAUGE			
0	NO VACUUM GAGE SELECTED			
Z	ERMCO STD TEMPERATURE GAGE			
8	ENVIROTEMP FR3			
A	STANDARD TWO NAMEPLATES			
00	STD KVA DECAL OUTSIDE			
00	DOES NOT REQUIRE PCB DECAL.			
11	DANGER "MR.OUCH" GENERIC (3-52-02)			
02	WARNING "MR OUCH" GENERIC(3-52-01)			
99	STD PRIMARY DECAL INSIDE(HV)			
00	NO SECONDARY VOLTAGE DECALS			
00	STD ERMCO "E" LOGO DECAL (3-8-151)			
0	STANDARD PALLET			
N	NO SPECIAL TEST NEEDED			
OPTIONS END.....				

ITEM 13  
ERMCO 3 PHASE PAD TRANSFORMER 3PH-PAD 1  
ITEM# : 13.00  
YOUR PRODUCT E5070500  
CORE WGT 1,695.92 STEEL TYP M3 SHIP WGT 6,616.9361  
UNIT WGT 6,567.93 C&C WGT 2,404.6 CORE WPTH SINGLE-10.2  
NL= 781 LL= 2784 IZ=4.600 TL= 3565

OPTIONS BEGIN.....  
ERMCO ERMCO STD 3PH TRANSFORMER  
0500 500 KVA  
G GRDY  
001G 12470GY/7200 95 BIL  
X H0/X0 GROUND  
003 2 TAPS 2.5% ABOVE & BELOW NORMAL  
P T/C HANDLE IN P.SIDE COMPARTMENT  
127 480Y/277 LH  
S5 ANSI SPECIFIC K DIM=5.0  
L LOOP FEED  
000 GENERIC STD FIXED STUD WELL  
G15 STD INSERT SYSTEM SELECT  
000 ELBOW ARRESTERS NOT SELECTED  
000 NO INS. STANDOFF BUSHING SELECTED

EXHIBIT D - VENDOR'S PROPOSAL

CUSTOMER COPY

QUOTE # 753566-00  
QUOTED DATE 2/18/25

BILL TO:  
GRESKO UTILITY SUPPLY, INC.  
1135 RUMBLE ROAD

SHIP TO:  
CITY OF OCALA - GRESKO  
CENTRAL WAREHOUSE  
2100 NE 30TH AVENUE

ATTN= ACCOUNTS PAYABLE  
FORSYTH GA31029

OCALA FL34470-4800

DESCRIPTION	PRODUCT NUMBER	QTY	UNIT PRICE	EXT PRICE
000	NO INS. PROTECTIVE CAP SELECTED			
S	STAGGERED LV BUSHING ARRANGEMENT			
000	ERMCO STD STUD LV BUSHINGS			
10H	10 HOLE NEMA SPADES			
1	LV BUSHING SUPPORTS REQUIRED			
E58	DUAL SENSING BAYO & LINK (GENERIC)			
A00	STD ISOLATION LINK BY CONFIGURATOR			
304	304L STAINLESS TANK & BASE			
4	TANK COVER W/ROUND HANDHOLE S.S			
304	304L STAINLESS CABINET & SILL			
0	STD CABINET PARTITION			
0	PADMOUNT GREEN FINISH			
2	SS HARDWARE W/BRONZE NUTS			
11	SILICON BRONZE PENTABOLT			
2	#08-2/0 2-WAY SILICON BRONZE 19-02			
0	GROUND BOSS IN PRIMARY & SECONDARY			
00	STANDARD AIR SPACE			
90	FR3 PRV QUAL 202-130-10T			
Z	ERMCO STD DRAIN VALVE W/ SAMPLER			
P	DRAIN IN PRIMARY COMPARTMENT			
0	1"NPT FILL PLUG			
Z	SEC ERMCO STD LIQUID LEVEL GAUGE			
0	NO VACUUM GAGE SELECTED			
Z	ERMCO STD TEMPERATURE GAGE			
8	ENVIROTEMP FR3			
A	STANDARD TWO NAMEPLATES			
00	STD KVA DECAL OUTSIDE			
00	DOES NOT REQUIRE PCB DECAL.			
11	DANGER "MR.OUCH" GENERIC (3-52-02)			
02	WARNING "MR OUCH" GENERIC(3-52-01)			
99	STD PRIMARY DECAL INSIDE(HV)			
00	NO SECONDARY VOLTAGE DECALS			
00	STD ERMCO "E" LOGO DECAL (3-8-151)			
0	STANDARD PALLET			
N	NO SPECIAL TEST NEEDED			
OPTIONS END.....				

ITEM 14  
ERMCO 3 PHASE PAD TRANSFORMER 3PH-PAD 1  
ITEM# : 14.00  
YOUR PRODUCT E05070750  
CORE WGT 2,489.31 STEEL TYP M3 SHIP WGT 9,077.3736  
UNIT WGT 9,019.37 C&C WGT 3,951.3 CORE WPTH DOUBLE

**EXHIBIT D - VENDOR'S PROPOSAL**

CUSTOMER COPY

QUOTE # 753566-00  
 QUOTED DATE 2/18/25

BILL TO:  
 GRESKO UTILITY SUPPLY, INC.  
 1135 RUMBLE ROAD

SHIP TO:  
 CITY OF OCALA - GRESKO  
 CENTRAL WAREHOUSE  
 2100 NE 30TH AVENUE

ATTN= ACCOUNTS PAYABLE  
 FORSYTH GA31029

OCALA FL34470-4800

DESCRIPTION	PRODUCT NUMBER	QTY	UNIT PRICE	EXT PRICE
NL= 985 LL= 4096 IZ=5.500 TL= 5081				
OPTIONS BEGIN.....				
ERMCO	ERMCO STD 3PH TRANSFORMER			
0750	750 KVA			
G	GRDY			
001G	12470GY/7200 95 BIL			
X	H0/X0 GROUND			
003	2 TAPS 2.5% ABOVE & BELOW NORMAL			
P	T/C HANDLE IN P.SIDE COMPARTMENT			
127	480Y/277 LH			
S5	ANSI SPECIFIC K DIM=5.0			
L	LOOP FEED			
000	GENERIC STD FIXED STUD WELL			
G15	STD INSERT SYSTEM SELECT			
000	ELBOW ARRESTERS NOT SELECTED			
000	NO INS. STANDOFF BUSHING SELECTED			
000	NO INS. PROTECTIVE CAP SELECTED			
S	STAGGERED LV BUSHING ARRANGEMENT			
000	ERMCO STD STUD LV BUSHINGS			
10H	10 HOLE NEMA SPADES			
1	LV BUSHING SUPPORTS REQUIRED			
E58	DUAL SENSING BAYO & LINK (GENERIC)			
A00	STD ISOLATION LINK BY CONFIGURATOR			
304	304L STAINLESS TANK & BASE			
4	TANK COVER W/ROUND HANDHOLE S.S			
304	304L STAINLESS CABINET & SILL			
0	STD CABINET PARTITION			
0	PADMOUNT GREEN FINISH			
2	SS HARDWARE W/BRONZE NUTS			
11	SILICON BRONZE PENTABOLT			
2	#08-2/0 2-WAY SILICON BRONZE 19-02			
1	S.S. 2HOLE GRD PAD IN PRI & SEC			
00	STANDARD AIR SPACE			
90	FR3 PRV QUAL 202-130-10T			
Z	ERMCO STD DRAIN VALVE W/ SAMPLER			
P	DRAIN IN PRIMARY COMPARTMENT			
0	1"NPT FILL PLUG			
Z	SEC ERMCO STD LIQUID LEVEL GAUGE			
0	NO VACUUM GAGE SELECTED			
Z	ERMCO STD TEMPERATURE GAGE			
8	ENVIROTEMP FR3			
A	STANDARD TWO NAMEPLATES			
00	STD KVA DECAL OUTSIDE			
00	DOES NOT REQUIRE PCB DECAL.			
11	DANGER "MR.OUCH" GENERIC (3-52-02)			

EXHIBIT D - VENDOR'S PROPOSAL

CUSTOMER COPY

QUOTE # 753566-00  
QUOTED DATE 2/18/25

BILL TO:  
GRESKO UTILITY SUPPLY, INC.  
1135 RUMBLE ROAD

SHIP TO:  
CITY OF OCALA - GRESKO  
CENTRAL WAREHOUSE  
2100 NE 30TH AVENUE

ATTN= ACCOUNTS PAYABLE  
FORSYTH GA31029

OCALA FL34470-4800

DESCRIPTION	PRODUCT NUMBER	QTY	UNIT PRICE	EXT PRICE
02	WARNING "MR OUCH" GENERIC(3-52-01)			
99	STD PRIMARY DECAL INSIDE(HV)			
00	NO SECONDARY VOLTAGE DECALS			
00	STD ERMCO "E" LOGO DECAL (3-8-151)			
0	STANDARD PALLET			
N	NO SPECIAL TEST NEEDED			
OPTIONS END.....				

ITEM 15  
ERMCO 3 PHASE PAD TRANSFORMER 3PH-PAD 1  
ITEM# : 15.00  
YOUR PRODUCT E05071500  
CORE WGT 3,606.99 STEEL TYP M3 SHIP WGT 11,810.0562  
UNIT WGT 11,750.05 C&C WGT 5,232.6 CORE WPTH DOUBLE  
NL= 1712 LL= 8756 IZ=5.700 TL=10468

OPTIONS BEGIN.....

ERMCO ERMCO STD 3PH TRANSFORMER  
1500 1500 KVA  
G GRDY  
001G 12470GY/7200 95 BIL  
X H0/X0 GROUND  
003 2 TAPS 2.5% ABOVE & BELOW NORMAL  
P T/C HANDLE IN P.SIDE COMPARTMENT  
127 480Y/277 LH  
S5 ANSI SPECIFIC K DIM=5.0  
L LOOP FEED  
000 GENERIC STD FIXED STUD WELL  
G15 STD INSERT SYSTEM SELECT  
000 ELBOW ARRESTERS NOT SELECTED  
000 NO INS. STANDOFF BUSHING SELECTED  
000 NO INS. PROTECTIVE CAP SELECTED  
S STAGGERED LV BUSHING ARRANGEMENT  
000 ERMCO STD STUD LV BUSHINGS  
10H 10 HOLE NEMA SPADES  
1 LV BUSHING SUPPORTS REQUIRED  
E58 DUAL SENSING BAYO & LINK (GENERIC)  
A00 STD ISOLATION LINK BY CONFIGURATOR  
304 304L STAINLESS TANK & BASE  
4 TANK COVER W/ROUND HANDHOLE S.S  
304 304L STAINLESS CABINET & SILL  
0 STD CABINET PARTITION  
0 PADMOUNT GREEN FINISH  
2 SS HARDWARE W/BRONZE NUTS

EXHIBIT D - VENDOR'S PROPOSAL

CUSTOMER COPY

QUOTE # 753566-00  
QUOTED DATE 2/18/25

BILL TO:  
GRESKO UTILITY SUPPLY, INC.  
1135 RUMBLE ROAD

SHIP TO:  
CITY OF OCALA - GRESKO  
CENTRAL WAREHOUSE  
2100 NE 30TH AVENUE

ATTN= ACCOUNTS PAYABLE  
FORSYTH GA31029

OCALA FL34470-4800

DESCRIPTION	PRODUCT NUMBER	QTY	UNIT PRICE	EXT PRICE
11	SILICON BRONZE PENTABOLT			
2	#08-2/0 2-WAY SILICON BRONZE 19-02			
1	S.S. 2HOLE GRD PAD IN PRI & SEC			
00	STANDARD AIR SPACE			
90	FR3 PRV QUAL 202-130-10T			
Z	ERMCO STD DRAIN VALVE W/ SAMPLER			
P	DRAIN IN PRIMARY COMPARTMENT			
0	1"NPT FILL PLUG			
Z	SEC ERMCO STD LIQUID LEVEL GAUGE			
0	NO VACUUM GAGE SELECTED			
Z	ERMCO STD TEMPERATURE GAGE			
8	ENVIROTEMP FR3			
A	STANDARD TWO NAMEPLATES			
00	STD KVA DECAL OUTSIDE			
00	DOES NOT REQUIRE PCB DECAL.			
11	DANGER "MR.OUCH" GENERIC (3-52-02)			
02	WARNING "MR OUCH" GENERIC(3-52-01)			
99	STD PRIMARY DECAL INSIDE(HV)			
00	NO SECONDARY VOLTAGE DECALS			
00	STD ERMCO "E" LOGO DECAL (3-8-151)			
0	STANDARD PALLET			
N	NO SPECIAL TEST NEEDED			
OPTIONS END.....				

ITEM 16  
ERMCO 3 PHASE PAD TRANSFORMER 3PH-PAD 1  
ITEM# : 16.00  
YOUR PRODUCT E05072000  
CORE WGT 4,398.58 STEEL TYP M3 SHIP WGT 13,444.5454  
UNIT WGT 13,384.54 C&C WGT 6,117.7 CORE WPTH DOUBLE  
NL= 2156 LL= 9790 IZ=5.700 TL=11946

OPTIONS BEGIN.....  
ERMCO ERMCO STD 3PH TRANSFORMER  
2000 2000 KVA  
G GRDY  
001G 12470GY/7200 95 BIL  
X H0/X0 GROUND  
003 2 TAPS 2.5% ABOVE & BELOW NORMAL  
P T/C HANDLE IN P.SIDE COMPARTMENT  
127 480Y/277 LH  
S5 ANSI SPECIFIC K DIM=5.0  
L LOOP FEED  
000 GENERIC STD FIXED STUD WELL

EXHIBIT D - VENDOR'S PROPOSAL

CUSTOMER COPY

QUOTE # 753566-00  
QUOTED DATE 2/18/25

BILL TO:  
GRESKO UTILITY SUPPLY, INC.  
1135 RUMBLE ROAD

SHIP TO:  
CITY OF OCALA - GRESKO  
CENTRAL WAREHOUSE  
2100 NE 30TH AVENUE

ATTN= ACCOUNTS PAYABLE  
FORSYTH GA31029

OCALA FL34470-4800

DESCRIPTION	PRODUCT NUMBER	QTY	UNIT PRICE	EXT PRICE
G15	STD INSERT SYSTEM SELECT			
000	ELBOW ARRESTERS NOT SELECTED			
000	NO INS. STANDOFF BUSHING SELECTED			
000	NO INS. PROTECTIVE CAP SELECTED			
S	STAGGERED LV BUSHING ARRANGEMENT			
510	HJ INTG 10H SPD			
1	LV BUSHING SUPPORTS REQUIRED			
E58	DUAL SENSING BAYO & LINK (GENERIC)			
A00	STD ISOLATION LINK BY CONFIGURATOR			
304	304L STAINLESS TANK & BASE			
4	TANK COVER W/ROUND HANDHOLE S.S			
304	304L STAINLESS CABINET & SILL			
0	STD CABINET PARTITION			
0	PADMOUNT GREEN FINISH			
2	SS HARDWARE W/BRONZE NUTS			
11	SILICON BRONZE PENTABOLT			
2	#08-2/0 2-WAY SILICON BRONZE 19-02			
1	S.S. 2HOLE GRD PAD IN PRI & SEC			
00	STANDARD AIR SPACE			
90	FR3 PRV QUAL 202-130-10T			
Z	ERMCO STD DRAIN VALVE W/ SAMPLER			
P	DRAIN IN PRIMARY COMPARTMENT			
0	1"NPT FILL PLUG			
Z	SEC ERMCO STD LIQUID LEVEL GAUGE			
0	NO VACUUM GAGE SELECTED			
Z	ERMCO STD TEMPERATURE GAGE			
8	ENVIROTEMP FR3			
A	STANDARD TWO NAMEPLATES			
00	STD KVA DECAL OUTSIDE			
00	DOES NOT REQUIRE PCB DECAL.			
11	DANGER "MR.OUCH" GENERIC (3-52-02)			
02	WARNING "MR OUCH" GENERIC(3-52-01)			
99	STD PRIMARY DECAL INSIDE(HV)			
00	NO SECONDARY VOLTAGE DECALS			
00	STD ERMCO "E" LOGO DECAL (3-8-151)			
0	STANDARD PALLET			
N	NO SPECIAL TEST NEEDED			

OPTIONS END.....

ITEM 17  
ERMCO 3 PHASE PAD TRANSFORMER 3PH-PAD 1  
ITEM# : 17.00  
YOUR PRODUCT E05072500

**EXHIBIT D - VENDOR'S PROPOSAL**

CUSTOMER COPY

QUOTE # 753566-00  
 QUOTED DATE 2/18/25

BILL TO:  
 GRESKO UTILITY SUPPLY, INC.  
 1135 RUMBLE ROAD

SHIP TO:  
 CITY OF OCALA - GRESKO  
 CENTRAL WAREHOUSE  
 2100 NE 30TH AVENUE

ATTN= ACCOUNTS PAYABLE  
 FORSYTH GA31029

OCALA FL34470-4800

DESCRIPTION	PRODUCT NUMBER	QTY	UNIT PRICE	EXT PRICE
CORE WGT 5,735.73 STEEL TYP M3	SHIP WGT 15,686.7228			
UNIT WGT 15,618.72 C&C WGT 7,934.4	CORE WPTH DOUBLE			
NL= 2609 LL=12227 IZ=5.600	TL=14836			

OPTIONS BEGIN.....

ERMCO ERMCO STD 3PH TRANSFORMER  
 2500 2500 KVA  
 G GRDY  
 001G 12470GY/7200 95 BIL  
 X H0/X0 GROUND  
 003 2 TAPS 2.5% ABOVE & BELOW NORMAL  
 P T/C HANDLE IN P.SIDE COMPARTMENT  
 127 480Y/277 LH  
 S5 ANSI SPECIFIC K DIM=5.0  
 L LOOP FEED  
 000 GENERIC STD FIXED STUD WELL  
 G15 STD INSERT SYSTEM SELECT  
 000 ELBOW ARRESTERS NOT SELECTED  
 000 NO INS. STANDOFF BUSHING SELECTED  
 000 NO INS. PROTECTIVE CAP SELECTED  
 S STAGGERED LV BUSHING ARRANGEMENT  
 510 HJ INTG 10H SPD  
 1 LV BUSHING SUPPORTS REQUIRED  
 361 HI-AMP "BAYO" FUSE/LINK CP  
 A00 STD ISOLATION LINK BY CONFIGURATOR  
 1 FLAPR BAYO HOLDR W/SILVER CONTACTS  
 304 304L STAINLESS TANK & BASE  
 4 TANK COVER W/ROUND HANDHOLE S.S  
 304 304L STAINLESS CABINET & SILL  
 0 STD CABINET PARTITION  
 0 PADMOUNT GREEN FINISH  
 2 SS HARDWARE W/BRONZE NUTS  
 11 SILICON BRONZE PENTABOLT  
 2 #08-2/0 2-WAY SILICON BRONZE 19-02  
 1 S.S. 2HOLE GRD PAD IN PRI & SEC  
 00 STANDARD AIR SPACE  
 90 FR3 PRV QUAL 202-130-10T  
 Z ERMCO STD DRAIN VALVE W/ SAMPLER  
 P DRAIN IN PRIMARY COMPARTMENT  
 0 1"NPT FILL PLUG  
 Z SEC ERMCO STD LIQUID LEVEL GAUGE  
 0 NO VACUUM GAGE SELECTED  
 Z ERMCO STD TEMPERATURE GAGE  
 8 ENVIROTEMP FR3  
 A STANDARD TWO NAMEPLATES  
 00 STD KVA DECAL OUTSIDE

EXHIBIT D - VENDOR'S PROPOSAL

CUSTOMER COPY

QUOTE # 753566-00  
QUOTED DATE 2/18/25

BILL TO:  
GRESKO UTILITY SUPPLY, INC.  
1135 RUMBLE ROAD

SHIP TO:  
CITY OF OCALA - GRESKO  
CENTRAL WAREHOUSE  
2100 NE 30TH AVENUE

ATTN= ACCOUNTS PAYABLE  
FORSYTH GA31029

OCALA FL34470-4800

DESCRIPTION	PRODUCT NUMBER	QTY	UNIT PRICE	EXT PRICE
00	DOES NOT REQUIRE PCB DECAL.			
11	DANGER "MR.OUCH" GENERIC (3-52-02)			
02	WARNING "MR OUCH" GENERIC(3-52-01)			
99	STD PRIMARY DECAL INSIDE(HV)			
00	NO SECONDARY VOLTAGE DECALS			
00	STD ERMCO "E" LOGO DECAL (3-8-151)			
0	STANDARD PALLET			
N	NO SPECIAL TEST NEEDED			
OPTIONS END.....				

ITEM 18  
ERMCO 3 PHASE PAD TRANSFORMER 3PH-PAD 1  
ITEM# : 18.00  
YOUR PRODUCT E05070225  
CORE WGT 1,114.23 STEEL TYP M3 SHIP WGT 5,708.2100  
UNIT WGT 5,659.21 C&C WGT 1,563.7 CORE WPTH SINGLE  
NL= 498 LL= 1166 IZ=3.200 TL= 1664

OPTIONS BEGIN.....

ERMCO ERMCO STD 3PH TRANSFORMER  
0225 225 KVA  
G GRDY  
001G 12470GY/7200 95 BIL  
X H0/X0 GROUND  
001 NO TAPS  
N NO TAP CHANGER SELECTED  
127 480Y/277 LH  
S5 ANSI SPECIFIC K DIM=5.0  
L LOOP FEED  
000 GENERIC STD FIXED STUD WELL  
G15 STD INSERT SYSTEM SELECT  
000 ELBOW ARRESTERS NOT SELECTED  
000 NO INS. STANDOFF BUSHING SELECTED  
000 NO INS. PROTECTIVE CAP SELECTED  
S STAGGERED LV BUSHING ARRANGEMENT  
000 ERMCO STD STUD LV BUSHINGS  
600 6 HOLE NEMA SPADES  
1 LV BUSHING SUPPORTS REQUIRED  
E58 DUAL SENSING BAYO & LINK (GENERIC)  
A00 STD ISOLATION LINK BY CONFIGURATOR  
304 304L STAINLESS TANK & BASE  
4 TANK COVER W/ROUND HANDHOLE S.S  
304 304L STAINLESS CABINET & SILL  
0 STD CABINET PARTITION

EXHIBIT D - VENDOR'S PROPOSAL

CUSTOMER COPY

QUOTE # 753566-00  
QUOTED DATE 2/18/25

BILL TO:  
GRESKO UTILITY SUPPLY, INC.  
1135 RUMBLE ROAD

SHIP TO:  
CITY OF OCALA - GRESKO  
CENTRAL WAREHOUSE  
2100 NE 30TH AVENUE

ATTN= ACCOUNTS PAYABLE  
FORSYTH GA31029

OCALA FL34470-4800

DESCRIPTION	PRODUCT NUMBER	QTY	UNIT PRICE	EXT PRICE
0	PADMOUNT GREEN FINISH			
2	SS HARDWARE W/BRONZE NUTS			
11	SILICON BRONZE PENTABOLT			
2	#08-2/0 2-WAY SILICON BRONZE 19-02			
0	GROUND BOSS IN PRIMARY & SECONDARY			
00	STANDARD AIR SPACE			
90	FR3 PRV QUAL 202-130-10T			
Z	ERMCO STD DRAIN VALVE W/ SAMPLER			
P	DRAIN IN PRIMARY COMPARTMENT			
0	1"NPT FILL PLUG			
Z	SEC ERMCO STD LIQUID LEVEL GAUGE			
0	NO VACUUM GAGE SELECTED			
Z	ERMCO STD TEMPERATURE GAGE			
8	ENVIROTEMP FR3			
A	STANDARD TWO NAMEPLATES			
00	STD KVA DECAL OUTSIDE			
00	DOES NOT REQUIRE PCB DECAL.			
11	DANGER "MR.OUCH" GENERIC (3-52-02)			
02	WARNING "MR OUCH" GENERIC(3-52-01)			
99	STD PRIMARY DECAL INSIDE(HV)			
00	NO SECONDARY VOLTAGE DECALS			
00	STD ERMCO "E" LOGO DECAL (3-8-151)			
0	STANDARD PALLET			
N	NO SPECIAL TEST NEEDED			
OPTIONS END.....				

ITEM 19  
ERMCO 3 PHASE PAD TRANSFORMER 3PH-PAD 1  
ITEM# : 19.00  
YOUR PRODUCT E05070300  
CORE WGT 1,356.06 STEEL TYP M3 SHIP WGT 5,990.8164  
UNIT WGT 5,941.81 C&C WGT 1,853.8 CORE WPTH SINGLE-10.2  
NL= 590 LL= 1579 IZ=3.300 TL= 2169

OPTIONS BEGIN.....  
ERMCO ERMCO STD 3PH TRANSFORMER  
0300 300 KVA  
G GRDY  
001G 12470GY/7200 95 BIL  
X H0/X0 GROUND  
001 NO TAPS  
N NO TAP CHANGER SELECTED  
127 480Y/277 LH  
S5 ANSI SPECIFIC K DIM=5.0

EXHIBIT D - VENDOR'S PROPOSAL

CUSTOMER COPY

QUOTE # 753566-00  
QUOTED DATE 2/18/25

BILL TO:  
GRESKO UTILITY SUPPLY, INC.  
1135 RUMBLE ROAD

SHIP TO:  
CITY OF OCALA - GRESKO  
CENTRAL WAREHOUSE  
2100 NE 30TH AVENUE

ATTN= ACCOUNTS PAYABLE  
FORSYTH GA31029

OCALA FL34470-4800

DESCRIPTION	PRODUCT NUMBER	QTY	UNIT PRICE	EXT PRICE
L	LOOP FEED			
000	GENERIC STD FIXED STUD WELL			
G15	STD INSERT SYSTEM SELECT			
000	ELBOW ARRESTERS NOT SELECTED			
000	NO INS. STANDOFF BUSHING SELECTED			
000	NO INS. PROTECTIVE CAP SELECTED			
S	STAGGERED LV BUSHING ARRANGEMENT			
000	ERMCO STD STUD LV BUSHINGS			
10H	10 HOLE NEMA SPADES			
1	LV BUSHING SUPPORTS REQUIRED			
E58	DUAL SENSING BAYO & LINK (GENERIC)			
A00	STD ISOLATION LINK BY CONFIGURATOR			
304	304L STAINLESS TANK & BASE			
4	TANK COVER W/ROUND HANDHOLE S.S			
304	304L STAINLESS CABINET & SILL			
0	STD CABINET PARTITION			
0	PADMOUNT GREEN FINISH			
2	SS HARDWARE W/BRONZE NUTS			
11	SILICON BRONZE PENTABOLT			
2	#08-2/0 2-WAY SILICON BRONZE 19-02			
0	GROUND BOSS IN PRIMARY & SECONDARY			
00	STANDARD AIR SPACE			
90	FR3 PRV QUAL 202-130-10T			
Z	ERMCO STD DRAIN VALVE W/ SAMPLER			
P	DRAIN IN PRIMARY COMPARTMENT			
0	1"NPT FILL PLUG			
Z	SEC ERMCO STD LIQUID LEVEL GAUGE			
0	NO VACUUM GAGE SELECTED			
Z	ERMCO STD TEMPERATURE GAGE			
8	ENVIROTEMP FR3			
A	STANDARD TWO NAMEPLATES			
00	STD KVA DECAL OUTSIDE			
00	DOES NOT REQUIRE PCB DECAL.			
11	DANGER "MR.OUCH" GENERIC (3-52-02)			
02	WARNING "MR OUCH" GENERIC(3-52-01)			
99	STD PRIMARY DECAL INSIDE(HV)			
00	NO SECONDARY VOLTAGE DECALS			
00	STD ERMCO "E" LOGO DECAL (3-8-151)			
0	STANDARD PALLET			
N	NO SPECIAL TEST NEEDED			
OPTIONS END.....				

ITEM 20  
ERMCO 3 PHASE PAD TRANSFORMER 3PH-PAD 1  
ITEM# : 20.00

**EXHIBIT D - VENDOR'S PROPOSAL**

CUSTOMER COPY

QUOTE # 753566-00  
 QUOTED DATE 2/18/25

BILL TO:  
 GRESCO UTILITY SUPPLY, INC.  
 1135 RUMBLE ROAD

SHIP TO:  
 CITY OF OCALA - GRESCO  
 CENTRAL WAREHOUSE  
 2100 NE 30TH AVENUE

ATTN= ACCOUNTS PAYABLE  
 FORSYTH GA31029

OCALA FL34470-4800

DESCRIPTION	PRODUCT NUMBER	QTY	UNIT PRICE	EXT PRICE
YOUR PRODUCT E05071000				
CORE WGT 2,903.22	STEEL TYP M3	SHIP WGT 10,139.1978		
UNIT WGT 10,087.19	C&C WGT 4,467.6	CORE WDTN DOUBLE		
NL= 1313	LL= 5279	IZ=5.500	TL= 6592	
OPTIONS BEGIN.....				
ERMCO	ERMCO STD 3PH TRANSFORMER			
1000	1000 KVA			
G	GRDY			
001G	12470GY/7200 95 BIL			
X	H0/X0 GROUND			
003	2 TAPS 2.5% ABOVE & BELOW NORMAL			
P	T/C HANDLE IN P.SIDE COMPARTMENT			
127	480Y/277 LH			
S5	ANSI SPECIFIC K DIM=5.0			
L	LOOP FEED			
000	GENERIC STD FIXED STUD WELL			
G15	STD INSERT SYSTEM SELECT			
000	ELBOW ARRESTERS NOT SELECTED			
000	NO INS. STANDOFF BUSHING SELECTED			
000	NO INS. PROTECTIVE CAP SELECTED			
S	STAGGERED LV BUSHING ARRANGEMENT			
000	ERMCO STD STUD LV BUSHINGS			
10H	10 HOLE NEMA SPADES			
1	LV BUSHING SUPPORTS REQUIRED			
E58	DUAL SENSING BAYO & LINK (GENERIC)			
A00	STD ISOLATION LINK BY CONFIGURATOR			
304	304L STAINLESS TANK & BASE			
4	TANK COVER W/ROUND HANDHOLE S.S			
304	304L STAINLESS CABINET & SILL			
0	STD CABINET PARTITION			
0	PADMOUNT GREEN FINISH			
2	SS HARDWARE W/BRONZE NUTS			
11	SILICON BRONZE PENTABOLT			
2	#08-2/0 2-WAY SILICON BRONZE 19-02			
1	S.S. 2HOLE GRD PAD IN PRI & SEC			
00	STANDARD AIR SPACE			
90	FR3 PRV QUAL 202-130-10T			
Z	ERMCO STD DRAIN VALVE W/ SAMPLER			
P	DRAIN IN PRIMARY COMPARTMENT			
0	1"NPT FILL PLUG			
Z	SEC ERMCO STD LIQUID LEVEL GAUGE			
0	NO VACUUM GAGE SELECTED			
Z	ERMCO STD TEMPERATURE GAGE			
8	ENVIROTEMP FR3			
A	STANDARD TWO NAMEPLATES			

EXHIBIT D - VENDOR'S PROPOSAL

CUSTOMER COPY

QUOTE # 753566-00  
QUOTED DATE 2/18/25

BILL TO:  
GRESKO UTILITY SUPPLY, INC.  
1135 RUMBLE ROAD

SHIP TO:  
CITY OF OCALA - GRESKO  
CENTRAL WAREHOUSE  
2100 NE 30TH AVENUE

ATTN= ACCOUNTS PAYABLE  
FORSYTH GA31029

OCALA FL34470-4800

DESCRIPTION	PRODUCT NUMBER	QTY	UNIT PRICE	EXT PRICE
00	STD KVA DECAL OUTSIDE			
00	DOES NOT REQUIRE PCB DECAL.			
11	DANGER "MR.OUCH" GENERIC (3-52-02)			
02	WARNING "MR OUCH" GENERIC(3-52-01)			
99	STD PRIMARY DECAL INSIDE(HV)			
00	NO SECONDARY VOLTAGE DECALS			
00	STD ERMCO "E" LOGO DECAL (3-8-151)			
0	STANDARD PALLET			
N	NO SPECIAL TEST NEEDED			

OPTIONS END.....

ITEM 21  
ERMCO 3 PHASE PAD TRANSFORMER 3PH-PAD 1  
ITEM# : 21.00

YOUR PRODUCT E05070150  
CORE WGT 866.36 STEEL TYP M3 SHIP WGT 5,396.7395  
UNIT WGT 5,347.73 C&C WGT 1,244.9 CORE WPTH SINGLE  
NL= 362 LL= 927 IZ=3.400 TL= 1289

OPTIONS BEGIN.....

ERMCO ERMCO STD 3PH TRANSFORMER  
0150 150 KVA  
Y WYE  
501Y 12470Y/7200 95 BIL  
N NO NEUTRAL GROUND  
001 NO TAPS  
N NO TAP CHANGER SELECTED  
350 240 DELTA W/ ONE 120 MIDTAP LH  
S5 ANSI SPECIFIC K DIM=5.0  
L LOOP FEED  
000 GENERIC STD FIXED STUD WELL  
G15 STD INSERT SYSTEM SELECT  
000 ELBOW ARRESTERS NOT SELECTED  
000 NO INS. STANDOFF BUSHING SELECTED  
000 NO INS. PROTECTIVE CAP SELECTED  
S STAGGERED LV BUSHING ARRANGEMENT  
000 ERMCO STD STUD LV BUSHINGS  
600 6 HOLE NEMA SPADES  
1 LV BUSHING SUPPORTS REQUIRED  
E58 DUAL SENSING BAYO & LINK (GENERIC)  
A00 STD ISOLATION LINK BY CONFIGURATOR  
304 304L STAINLESS TANK & BASE  
4 TANK COVER W/ROUND HANDHOLE S.S  
304 304L STAINLESS CABINET & SILL

EXHIBIT D - VENDOR'S PROPOSAL

CUSTOMER COPY

QUOTE # 753566-00  
QUOTED DATE 2/18/25

BILL TO:  
GRESKO UTILITY SUPPLY, INC.  
1135 RUMBLE ROAD

SHIP TO:  
CITY OF OCALA - GRESKO  
CENTRAL WAREHOUSE  
2100 NE 30TH AVENUE

ATTN= ACCOUNTS PAYABLE  
FORSYTH GA31029

OCALA FL34470-4800

DESCRIPTION	PRODUCT NUMBER	QTY	UNIT PRICE	EXT PRICE
0	STD CABINET PARTITION			
0	PADMOUNT GREEN FINISH			
2	SS HARDWARE W/BRONZE NUTS			
11	SILICON BRONZE PENTABOLT			
2	#08-2/0 2-WAY SILICON BRONZE 19-02			
0	GROUND BOSS IN PRIMARY & SECONDARY			
00	STANDARD AIR SPACE			
90	FR3 PRV QUAL 202-130-10T			
Z	ERMCO STD DRAIN VALVE W/ SAMPLER			
P	DRAIN IN PRIMARY COMPARTMENT			
0	1"NPT FILL PLUG			
Z	SEC ERMCO STD LIQUID LEVEL GAUGE			
0	NO VACUUM GAGE SELECTED			
Z	ERMCO STD TEMPERATURE GAGE			
8	ENVIROTEMP FR3			
A	STANDARD TWO NAMEPLATES			
00	STD KVA DECAL OUTSIDE			
00	DOES NOT REQUIRE PCB DECAL.			
11	DANGER "MR.OUCH" GENERIC (3-52-02)			
02	WARNING "MR OUCH" GENERIC(3-52-01)			
99	STD PRIMARY DECAL INSIDE(HV)			
00	NO SECONDARY VOLTAGE DECALS			
00	STD ERMCO "E" LOGO DECAL (3-8-151)			
0	STANDARD PALLET			
N	NO SPECIAL TEST NEEDED			
OPTIONS END.....				

100% CTR @ TIME OF SHIPMENT

24 HOUR NOTICE

FLAT BED SIDE UNLOAD

CUSTOMER HAS A REQUIRED DELIVERY DATE

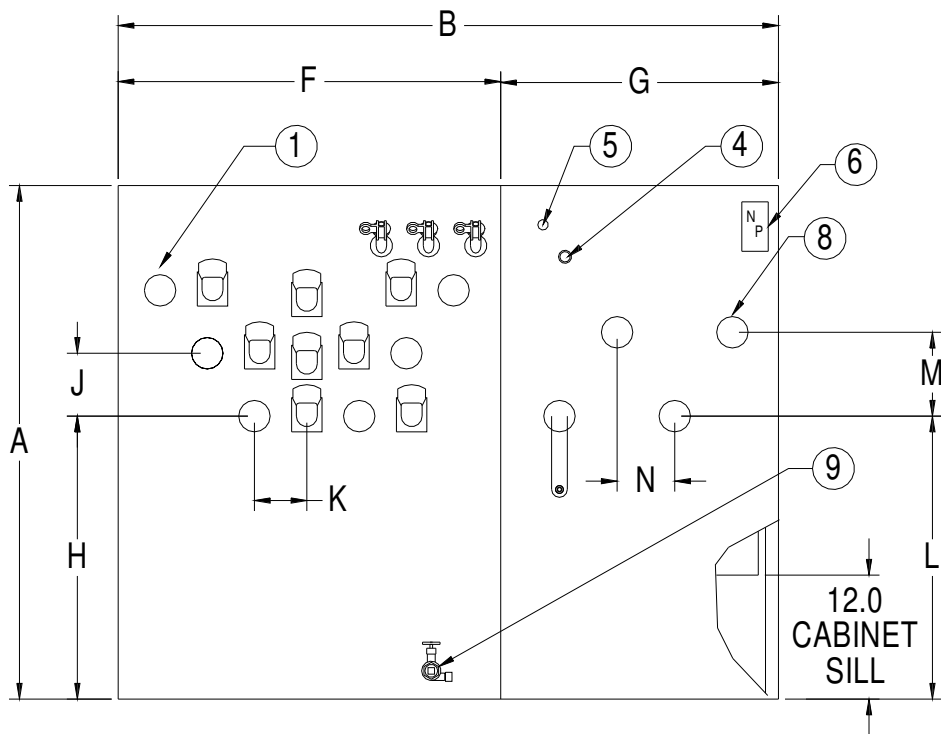
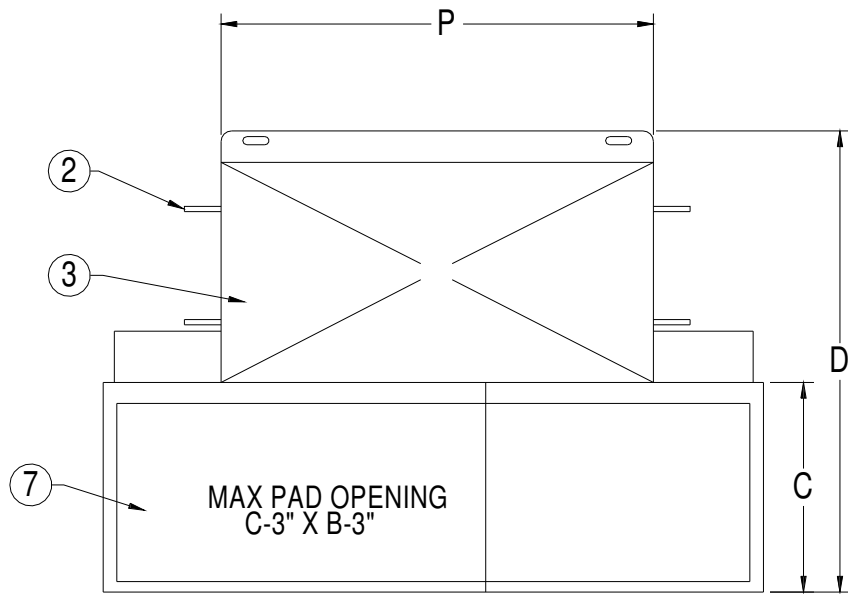
**EXHIBIT D - VENDOR'S PROPOSAL**

CUSTOMER: CITY OF OCALA - GRESCO

RFQ/Spec: \_\_\_\_\_

ERMCO Quote#: 753566

For detail information about the transformer, refer to the ERMCO quote documents.



**Quote**

Item	kVA	A	B	C	D	E	F	G	H	J	K	L	M	N
1	45	57	69.5	20	41.5	N/A	36.5	32.5	27	6	5	36	6	5.33
2	75	57	69.5	20	43.5	N/A	36.5	32.5	27	6	5	36	6	5.33
3	150	63	69.5	20	49.5	N/A	36.5	32.5	27	6	5	36	6	5.33
4	225	63	72.5	20	49.5	N/A	36.5	35.5	27	6	5	36	8	6.33
5	300	63	72.5	20	49.5	N/A	36.5	35.5	27	6	5	36	8	6.33
6	500	63	72.5	24	55.5	N/A	36.5	35.5	27	6	5	36	8	6.33
9	300	63	72.5	20	49.5	N/A	36.5	35.5	27	6	5	36	8	6.33
10	500	63	72.5	24	55.5	N/A	36.5	35.5	27	6	5	36	8	6.33
11	75	63	69.5	20	49.5	N/A	36.5	32.5	27	6	5	36	6	5.33
12	150	63	69.5	20	49.5	N/A	36.5	32.5	27	6	5	36	6	5.33

**STANDARD FEATURES**

- 1 HV Bushing
- 2 Lifting Lugs
- 3 Bolted Cover
- 4 1" Upper Fill Plug
- 5 Pressure Relief Valve
- 6 Nameplate
- 7 Hinged Top Cabinet
- 8 LV Bushing
- 9 Drain Valve w/Sampler

**Quote**

Item	P	Q	Wt (lbs)	Oil (gn)
1	49	N/A	2973	184
2	49	N/A	3280	201
3	53	N/A	5348	327
4	53	N/A	5645	323
5	53	N/A	5954	315
6	57	N/A	7005	344
9	53	N/A	5941	315
10	57	N/A	6890	345
11	53	N/A	4831	343
12	53	N/A	5306	327

3 Phase Quotation Drawing  
 For Dimensional Purposes Only  
 All Features and Accessories Not Shown

**ERMCO**

ISSD BY: JS	DATE: 02/19/25
REV ISSUE DATE:	SCALE: NTS

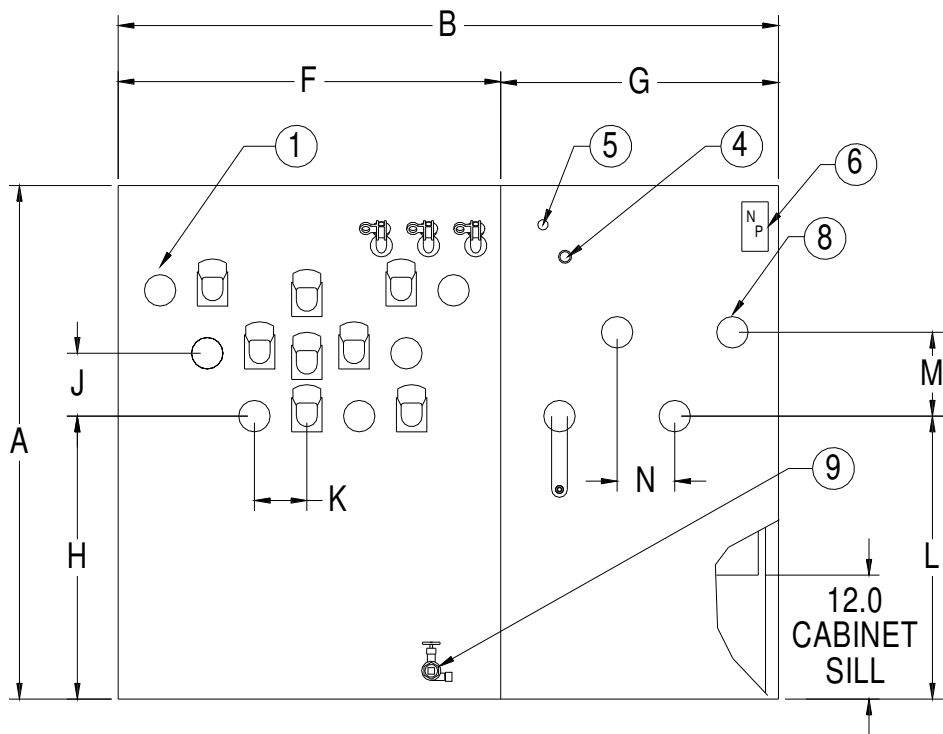
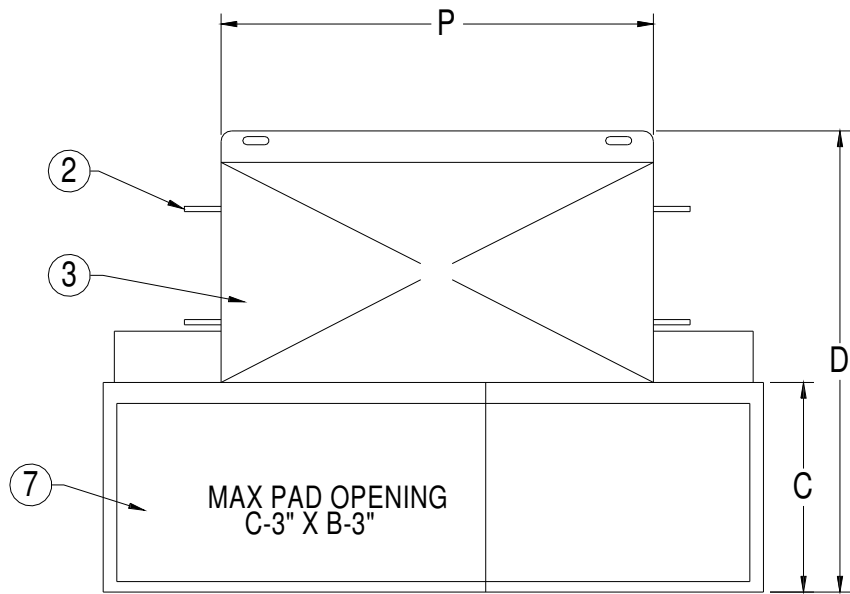
**EXHIBIT D - VENDOR'S PROPOSAL**

CUSTOMER: CITY OF OCALA - GRESCO

RFQ/Spec: \_\_\_\_\_

ERMCO Quote#: 753566

For detail information about the transformer, refer to the ERMCO quote documents.



**Quote**

Item	kVA	A	B	C	D	E	F	G	H	J	K	L	M	N
13	500	63	72.5	20	49.5	N/A	36.5	35.5	27	6	5	36	8	6.33
14	750	68	72.5	24	57.5	N/A	36.5	35.5	27	6	5	46	8	6.33
18	225	63	72.5	20	49.5	N/A	36.5	35.5	27	6	5	36	8	6.33
19	300	63	72.5	20	49.5	N/A	36.5	35.5	27	6	5	36	8	6.33
21	150	63	69.5	20	49.5	N/A	36.5	32.5	27	6	5	36	6	5.33

**STANDARD FEATURES**

Quote Item	P	Q	Wt (lbs)	Oil (gn)	
1 HV Bushing	13	57	N/A	6568	318
2 Lifting Lugs	14	63	N/A	9019	398
3 Bolted Cover	18	53	N/A	5659	321
4 1" Upper Fill Plug	19	53	N/A	5942	315
5 Pressure Relief Valve	21	53	N/A	5348	325
6 Nameplate	---	---	---	---	---
7 Hinged Top Cabinet	---	---	---	---	---
8 LV Bushing	---	---	---	---	---
9 Drain Valve w/Sampler	---	---	---	---	---

3 Phase Quotation Drawing  
 For Dimensional Purposes Only  
 All Features and Accessories Not Shown

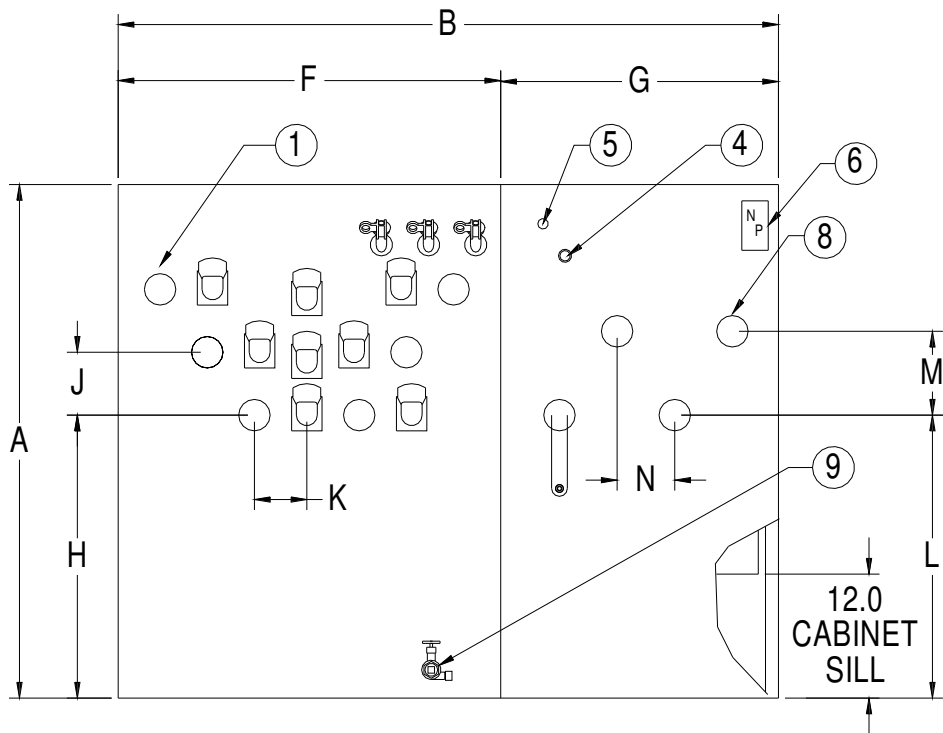
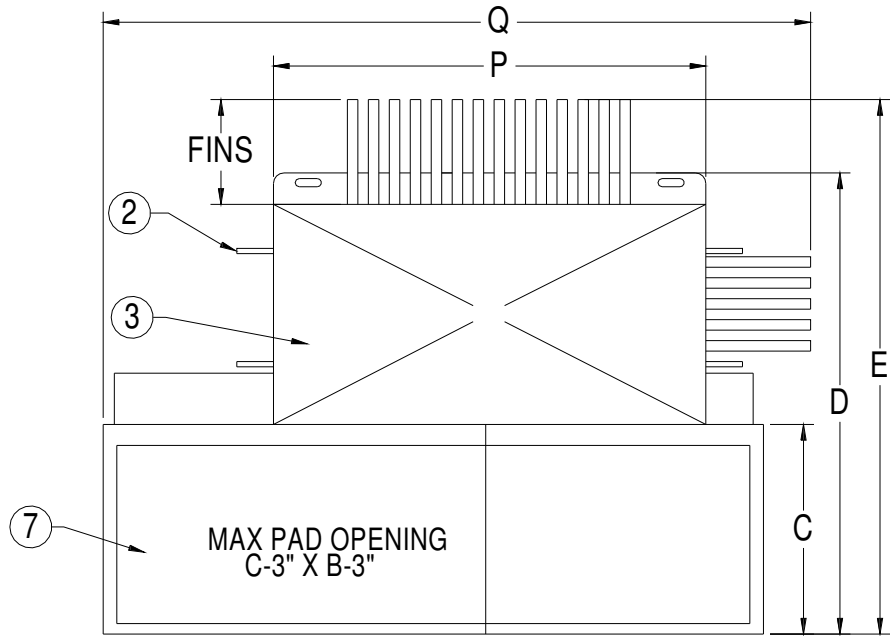
**ERMCO**

ISSD BY: JS	DATE: 02/19/25
REV ISSUE DATE:	SCALE: NTS

**EXHIBIT D - VENDOR'S PROPOSAL**

CUSTOMER: CITY OF OCALA - GRESCO  
 RFQ/Spec: \_\_\_\_\_  
 ERMCO Quote#: 753566

For detail information about the transformer, refer to the ERMCO quote documents.



**Quote**

Item	kVA	A	B	C	D	E	F	G	H	J	K	L	M	N
15	1500	68	72.5	24	59.5	66.5	36.5	35.5	27	6	5	46	8	6.33

**STANDARD FEATURES**

- 1 HV Bushing
- 2 Lifting Lugs
- 3 Bolted Cover
- 4 1" Upper Fill Plug
- 5 Pressure Relief Valve
- 6 Nameplate
- 7 Hinged Top Cabinet
- 8 LV Bushing
- 9 Drain Valve w/Sampler

Quote Item	P	Q	Wt (lbs)	Oil (gn)
15	68	81	11750	474

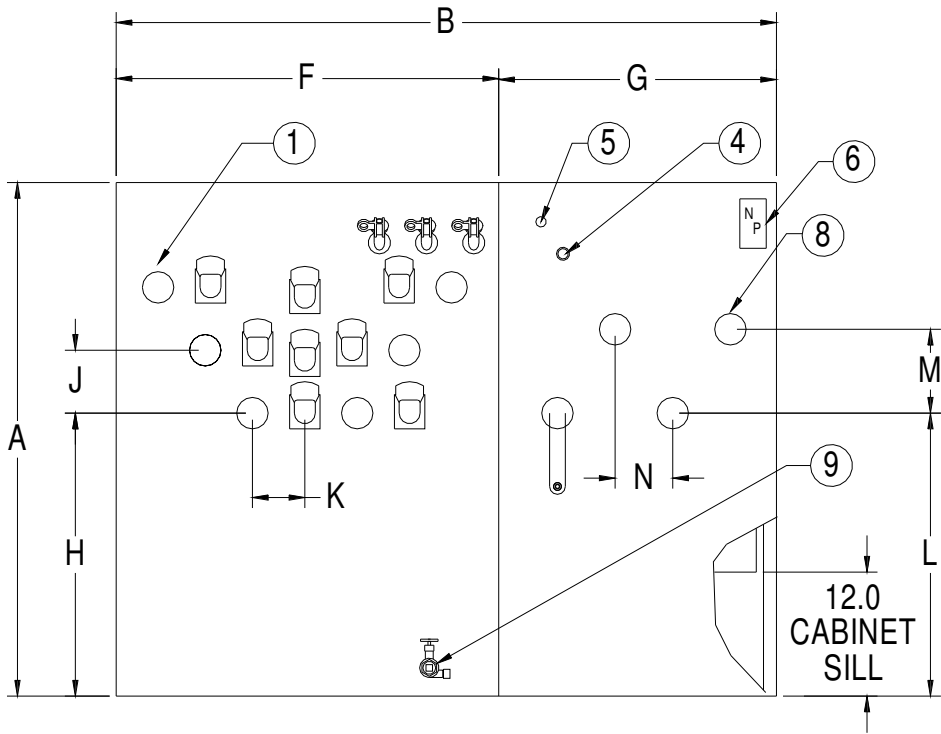
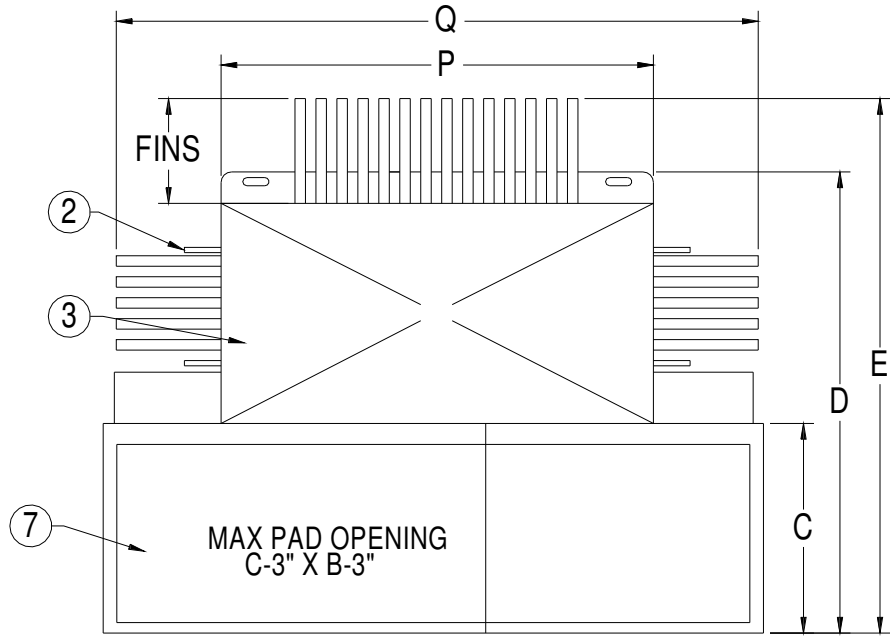
3 Phase Quotation Drawing  
 For Dimensional Purposes Only  
 All Features and Accessories Not Shown

**ERMCO**  
 ISSD BY: JS      DATE: 02/19/25  
 REV ISSUE DATE:      SCALE: NTS

**EXHIBIT D - VENDOR'S PROPOSAL**

CUSTOMER: CITY OF OCALA - GRESCO  
 RFQ/Spec: \_\_\_\_\_  
 ERMCO Quote#: 753566

For detail information about the transformer, refer to the ERMCO quote documents.



**Quote**

Item	kVA	A	B	C	D	E	F	G	H	J	K	L	M	N
16	2000	68	75.5	24	59.5	66.5	39.5	35.5	27	6	5	46	8	6.33

**STANDARD FEATURES**

- 1 HV Bushing
- 2 Lifting Lugs
- 3 Bolted Cover
- 4 1" Upper Fill Plug
- 5 Pressure Relief Valve
- 6 Nameplate
- 7 Hinged Top Cabinet
- 8 LV Bushing
- 9 Drain Valve w/Sampler

Quote Item	P	Q	Wt (lbs)	Oil (gn)
16	73	93	13385	508

3 Phase Quotation Drawing  
 For Dimensional Purposes Only  
 All Features and Accessories Not Shown  
 D-82

**ERMCO**  
 ISSD BY: JS      DATE: 02/19/25  
 REV ISSUE DATE:      SCALE: NTS

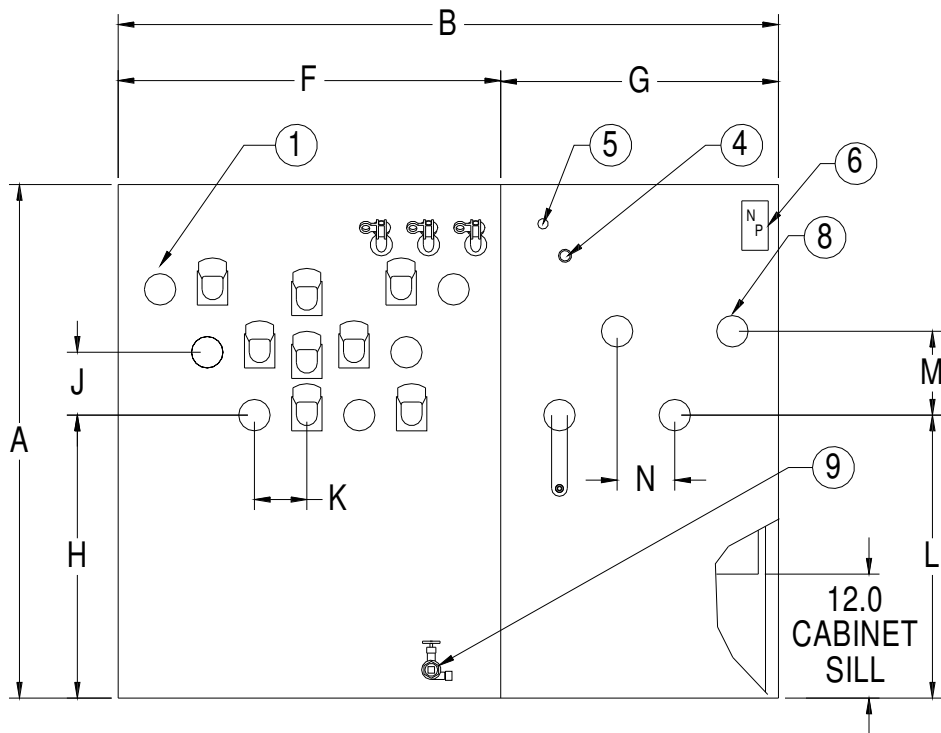
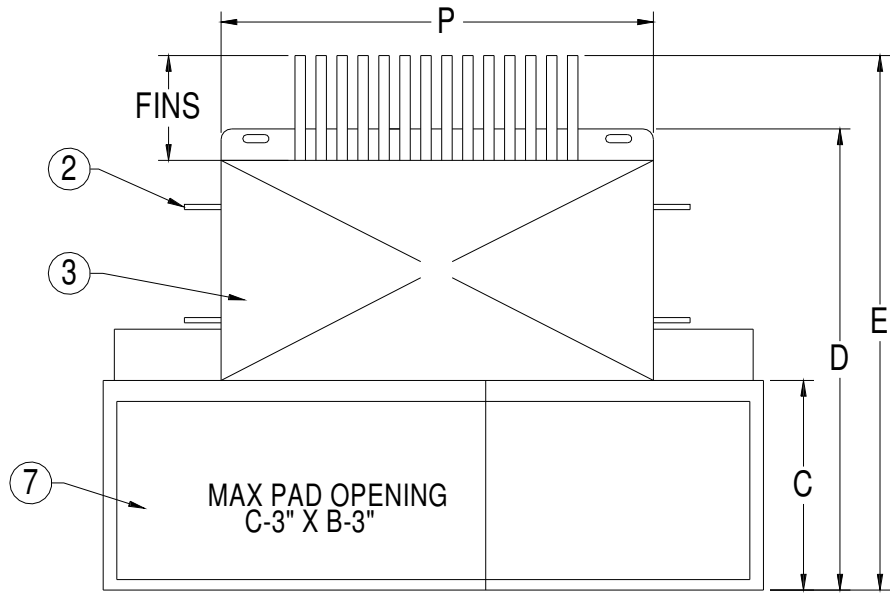
**EXHIBIT D - VENDOR'S PROPOSAL**

CUSTOMER: CITY OF OCALA - GRESCO

RFQ/Spec: \_\_\_\_\_

ERMCO Quote#: 753566

For detail information about the transformer, refer to the ERMCO quote documents.



**Quote**

Item	kVA	A	B	C	D	E	F	G	H	J	K	L	M	N
7	750	68	72.5	24	57.5	64.5	36.5	35.5	27	6	5	46	8	6.33
8	1000	68	72.5	24	59.5	66.5	36.5	35.5	27	6	5	46	8	6.33
17	2500	68	75.5	24	63.5	86.5	39.5	35.5	27	6	5	46	8	6.33
20	1000	68	72.5	24	57.5	64.5	36.5	35.5	27	6	5	46	8	6.33

**STANDARD FEATURES**

- 1 HV Bushing
- 2 Lifting Lugs
- 3 Bolted Cover
- 4 1" Upper Fill Plug
- 5 Pressure Relief Valve
- 6 Nameplate
- 7 Hinged Top Cabinet
- 8 LV Bushing
- 9 Drain Valve w/Sampler

Quote Item	P	Q	Wt (lbs)	Oil (gn)
7	63	N/A	10086	388
8	68	N/A	10982	465
17	73	N/A	15619	546
20	68	N/A	10087	432
---	---	---	---	---
---	---	---	---	---
---	---	---	---	---
---	---	---	---	---
---	---	---	---	---

3 Phase Quotation Drawing  
 For Dimensional Purposes Only  
 All Features and Accessories Not Shown

**ERMCO**

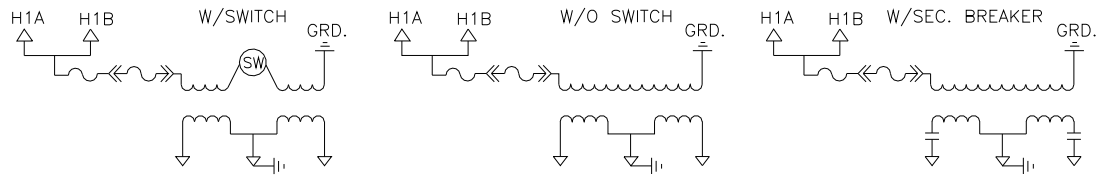
ISSD BY: JS	DATE: 02/19/25
REV ISSUE DATE:	SCALE: NTS

# EXHIBIT D - VENDOR'S PROPOSAL

H. V.: 12470GRDY/7200      95BIL 1BU

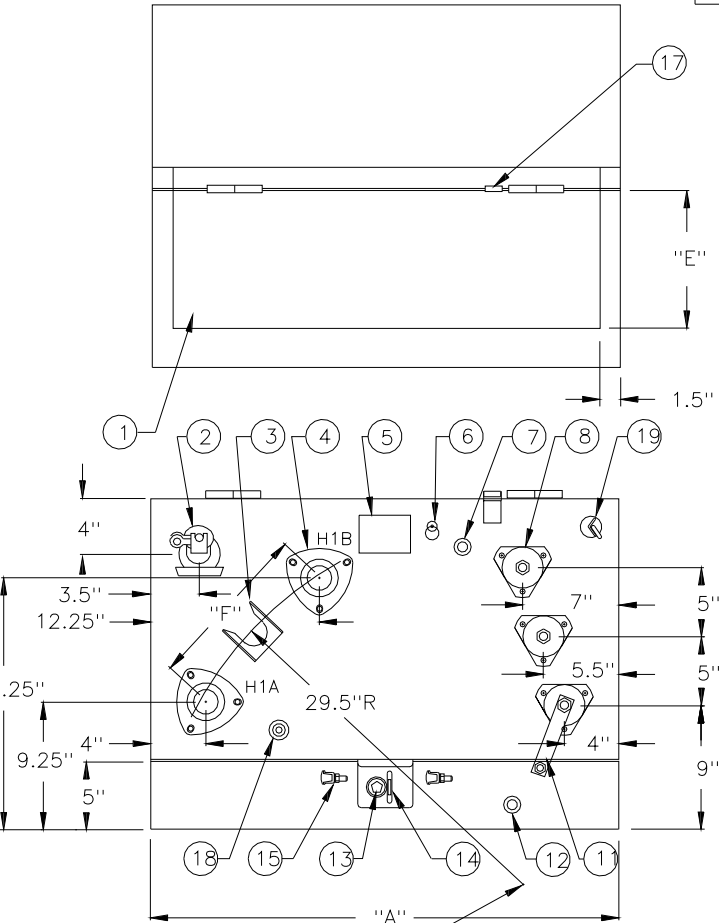
L.V.: 240/120 (3 LVBU ONLY) LHL      30 BIL

TAPS: NO TAPS

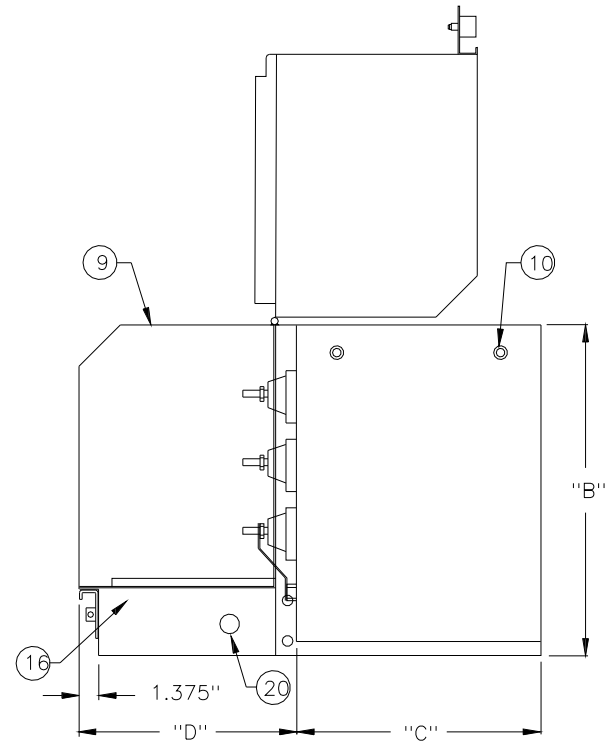


ITEM AND/OR STOCK #	KVA	DIMENSIONS IN INCHES					APPROX. GAL. OIL	APPROX. WEIGHT LBS.
		A WIDTH	B HEIGHT	C TANK DEPTH	D DOOR DEPTH	E CABLE OPENING		
1	25	32	24	15.7	16	12.375	23	619
2	50	32	24	20.2	16	12.375	33	865
3	75	36	24	20.2	16	12.375	40	1085
4	100	36	26	20.2	16	12.375	45	1255
5	167	36	32	25.2	16	12.375	65	1829

PART	DESCRIPTION	QUANTITY
1	CONDUIT ENTRANCE AREA	1
2	FUSING : GENERIC DUAL/LOAD (DS) BAYO & ISO ECI ISOLATION LINK BY CONFIGURATOR	1
3	PARKING STAND	1
4	GENERIC HV BUSH WELL 3-98 OR 3-135 15 kV ERMCO STANDARD INSERTS NO LBRK SWITCH	2
5	(1) ALUMINUM NAMEPLATE (STANDARD)	1
6	P.R.V.: GENERIC 10PSI 50SCFM FOR FR3 FLUID	1
7	.50 IN. OIL LEVEL PLUG	1
8	LVBU: COPPER STUD SECONDARY BUSHINGS. .625 IN. - 11 STUD - ITEM#: 1, 2, 3 1.00 IN. - 14 STUD - ITEM#: 4, 5 SPADES: NOT REQUIRED	3
9	COMPARTMENT COVER	1
10	LIFTING BOSS (.625"-11 BLIND TAPPED)	4
11	DETACHABLE GROUND STRAP	1
12	0.500 NPT DRAIN PLUG (STANDARD)	1
13	.500"-13 SILICON BRONZE PENTABOLT (STANDARD)	1
14	PADLOCK HASP	1
15	GROUND NUT W/ GROUND LUGS      Blackburn/ABB#TTC2 LUG 19-50	3
16	REMOVABLE SILL	2
17	DOOR RETAINER	1
18	TAP or DUAL VOLTAGE SWITCH: NOT REQUIRED	1
19	SECONDARY BREAKER HANDLE: NOT REQUIRED	1
20	NO CONDUIT ENTRANCE HOLE REQUIRED	1



"E" = "D" - 3.625"      DIM "F" IS : IF DIM "A" IS  
 10"      32"  
 12"      34" & >



POINT 4" BELOW PAD SURFACE  
 10" RIGHT OF TRANS. CENTERLINE AND  
 12" IN FRONT OF TRANS. FRONT PANEL

**\*\* UNCONTROLLED \*\***

**D-84**

## ERMCO

CUSTOMER: <b>CITY OF OCALA - GRESKO</b>		RFQ/SPEC #:	
SCALE: NTS	DATE: 02/24/25	BY: EAR	QUOTE NUMBER: 753950